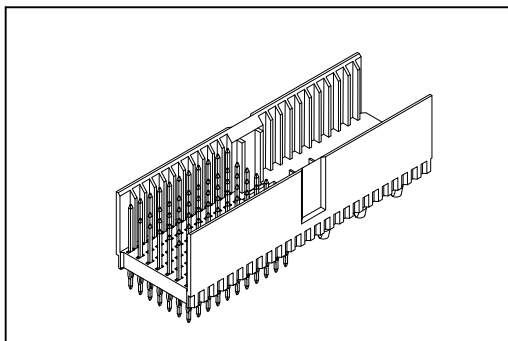


9111 Series

Hard Metric Connector Male Type M



Material:

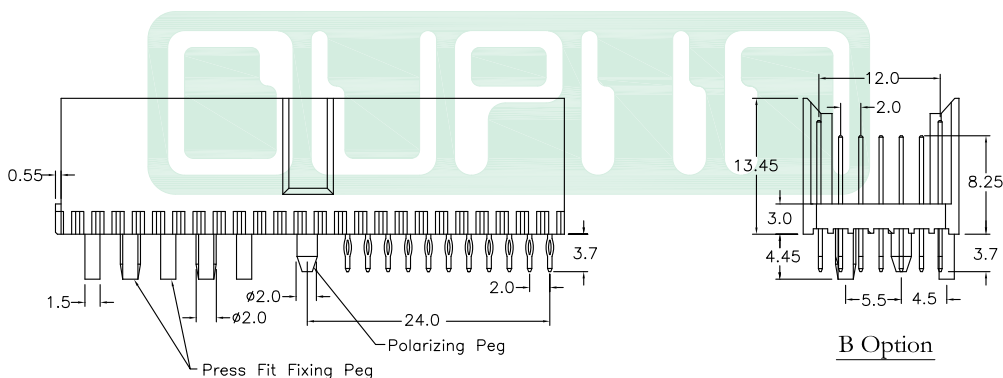
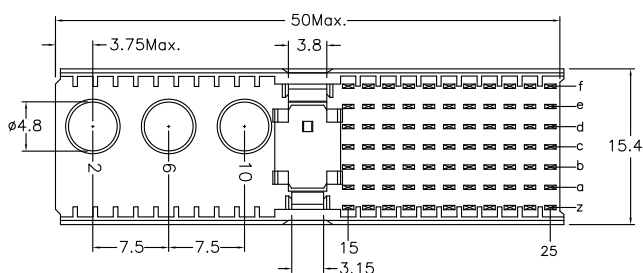
Housing: Thermoplastic Polyester Glass Filled UL94V-0.
 Contacts: Copper Alloy.

Electrical Characteristics:

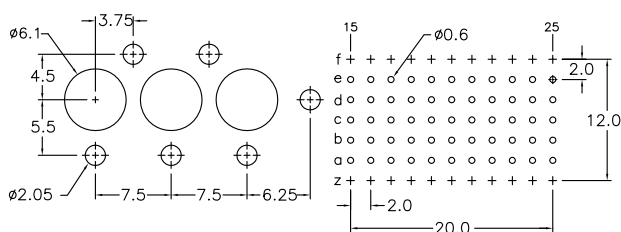
Current Rating : 1 A.
 Dielectric Withstanding Voltage: AC 750V.
 Insulator Resistance: 10000MΩ min.
 Contact Resistance: 20mΩ max.
 Operating Temperature: -55°C ~+125°C.

Features:

- * Type M Straight Male.
- * 5 X 11 Signal contacts,3 power/coaxial contact cavities.



B Option



P.C. Board Layout

Ordering information

9111- 7 1 M 77 B C 10 U
 Series 7Row 1: Male M: Type M 77: 77Positions+3 Cavities B: B Option C: Selective Gold Plated 10: 10 μ" U: Tube Package
 55: 55Positions+3 Cavities

*Contact Size Please Refer To Page CE54, Other Special Pin Layout Please Consult To Factory.

Information including designs, specifications and components may be changed or updated without notice.