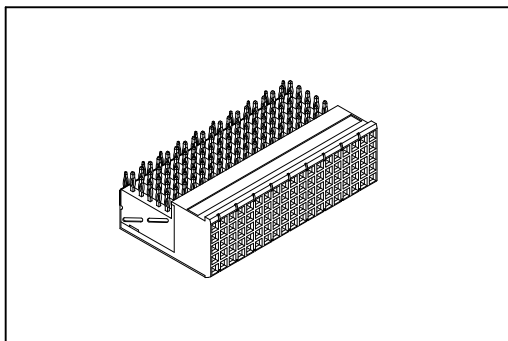


# 9111 Series

## Hard Metric Connector Female Right Angle

### Type B-19



#### Material:

Housing: Thermoplastic Polyester Glass Filled UL94V-0.

Contacts: Copper Alloy.

#### Electrical Characteristics:

Current Rating : 1 A.

Dielectric Withstanding Voltage: AC 750V.

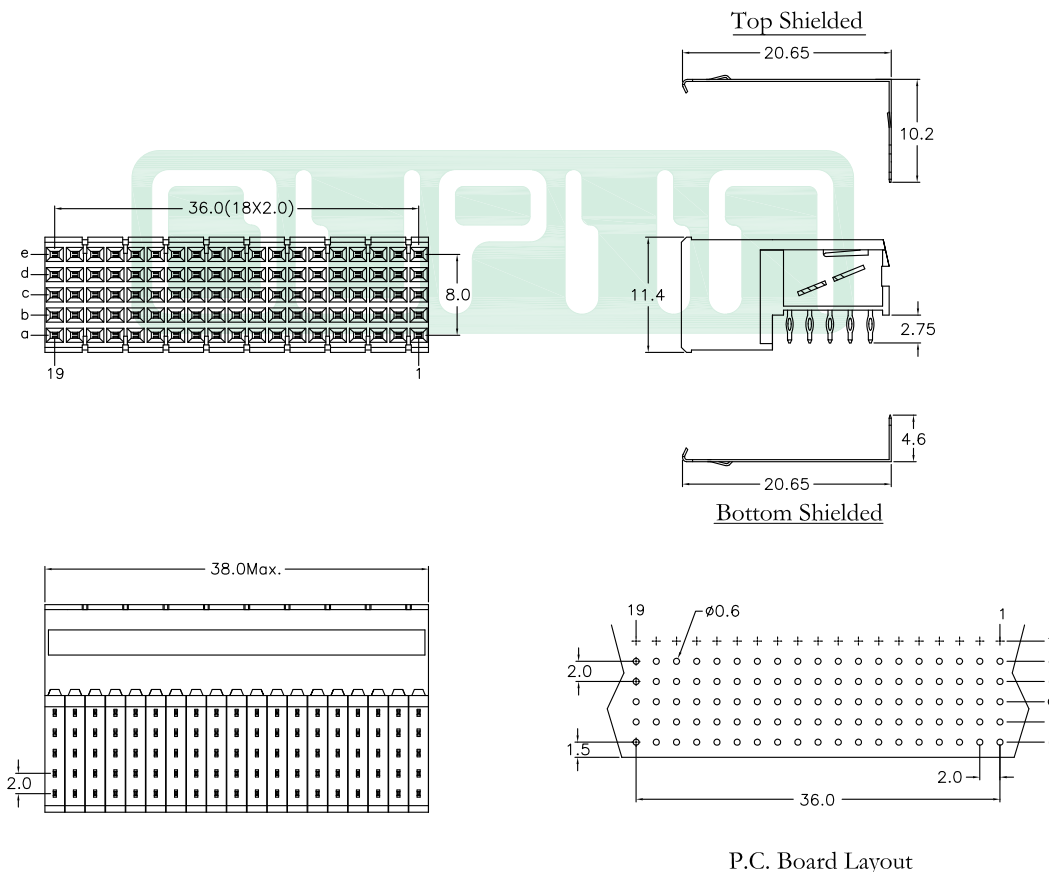
Insulator Resistance: 10000MΩ min.

Contact Resistance: 20mΩ max.

Operating Temperature: -55°C ~+125°C.

#### Features:

- \* Type B Right Angle Female
- 5 X 19 Position Fully Loaded.



### Ordering information

<u>9111-</u>	<u>7</u>	<u>2</u>	<u>B</u>	<u>95</u>	<u>1</u>	<u>CB</u>	<u>30</u>	<u>U</u>
Series	7Row	2: Female	B: Type B	Position	1: None Shielded 2: Top Body Shielded 3: Top Body Shielded and Bottom Shielded (Package Separately)	CB: Contact Au+Pd/Ni, Dip Tin plated	30: 30 μ"	U: Tube Package

Information including designs, specifications and components may be changed or updated without notice.

CE19