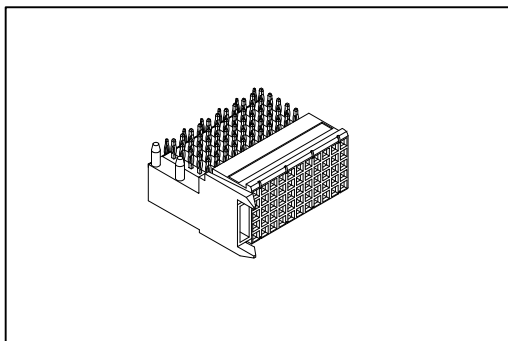


# 9111 Series

## Hard Metric Connector Female Right Angle Type C



### Material:

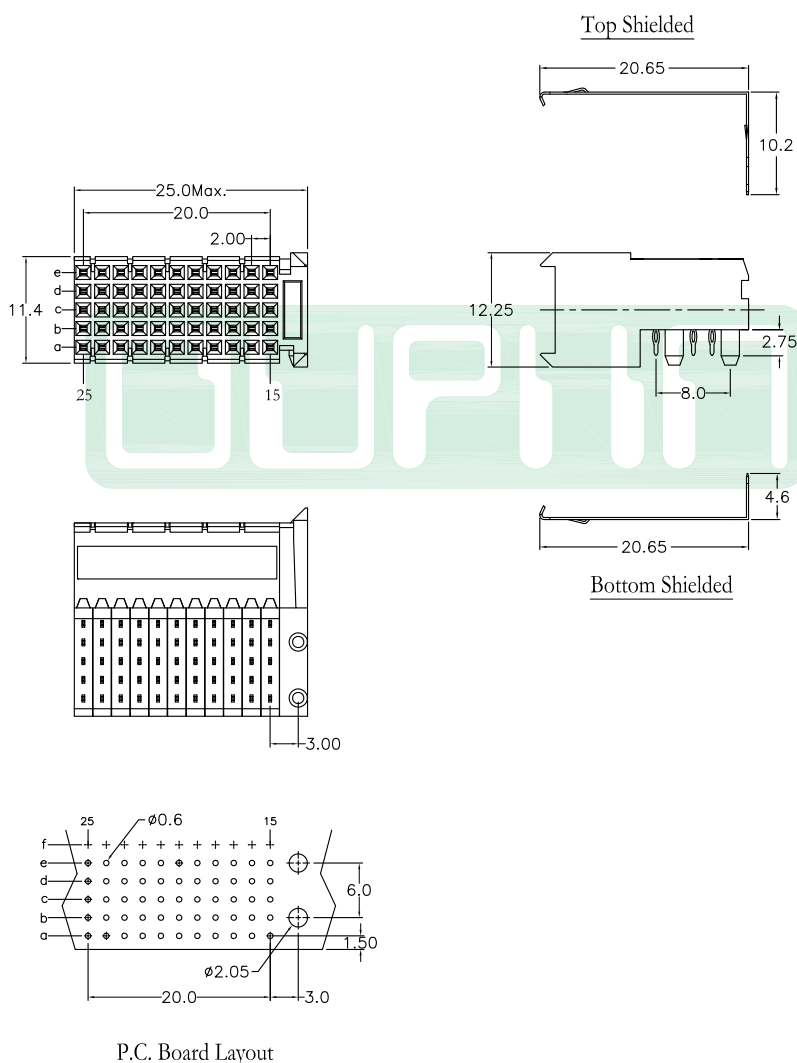
Housing: Thermoplastic Polyester Glass Filled UL94V-0.  
 Contacts: Copper Alloy.

### Electrical Characteristics:

Current Rating : 1 A.  
 Dielectric Withstanding Voltage: AC 750V.  
 Insulator Resistance: 10000MΩ min.  
 Contact Resistance: 20mΩ max.  
 Operating Temperature: -55°C ~ +125°C.

### Features:

- \* Type C Right Angle Female
- 5 X 11 Position Fully Loaded.



## Ordering information

<u>9111-</u>	<u>7</u>	<u>2</u>	<u>C</u>	<u>L</u>	<u>55</u>	<u>1</u>	<u>CB</u>	<u>30</u>	<u>U</u>
Series	7Row	2: Female	C: Type C	L: Left	Position	1: None Shielded 2: Top Body Shielded 3: Top Body Shielded and Bottom Shielded (Package Separately)	CB:Contact Au+Pd/Ni, Dip Tin plated	30: 30 μ"	U: Tube Package

Information including designs, specifications and components may be changed or updated without notice.

CE24