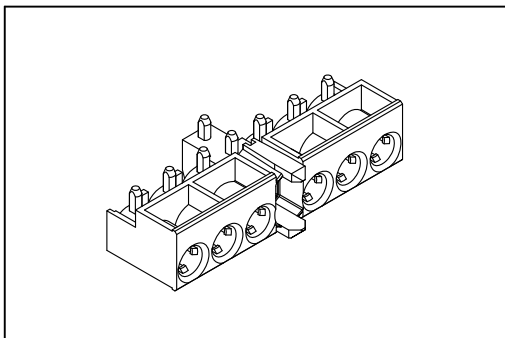


# 9111 Series

## Hard Metric Connector Female Right Angle Type L



### Material:

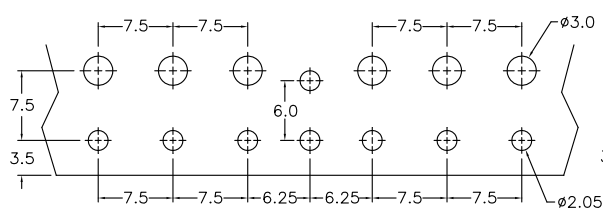
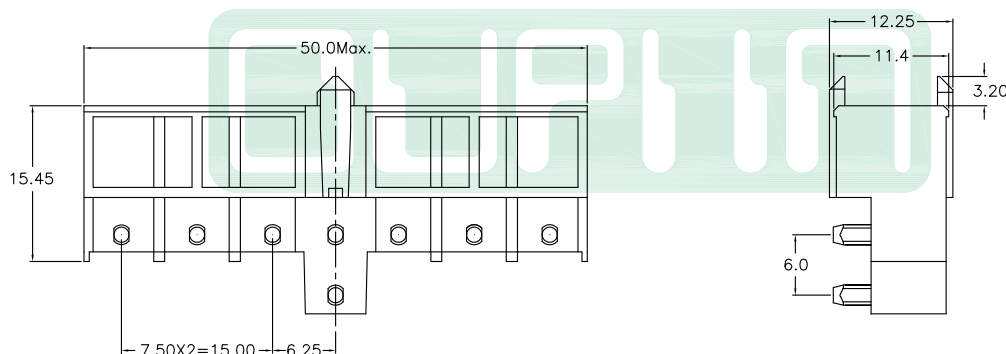
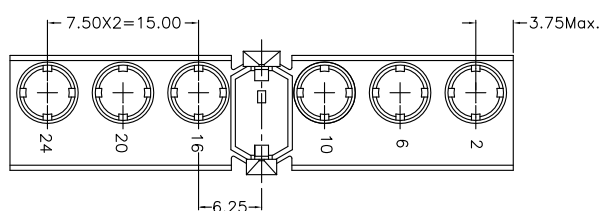
Housing: High Temperature Plastic UL94V-0.

### Electrical Characteristics:

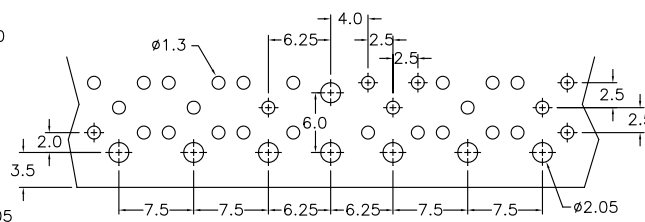
Operating Temperature:  $-55^{\circ}\text{C}\sim+125^{\circ}\text{C}$ .

### Features:

- \* Type L: With 6 power/coaxial contact cavities.
- \* Housing only.



P.C. Board Layout for Power Contact



P.C. Board Layout for Coaxial Contact

## Ordering information

9111- 7 2 L B  
 Series 7Row 2: Female L: Type L, 6 Cavities B: Bulk Package