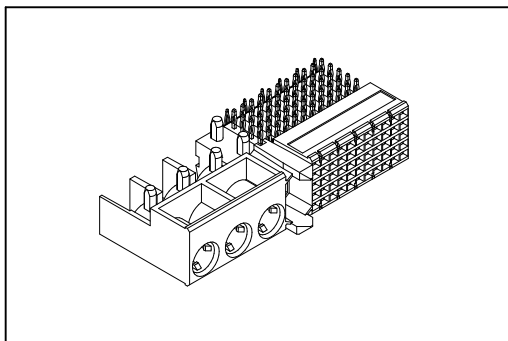


9111 Series

Hard Metric Connector Female Right Angle

Type M



Material:

Housing: Thermoplastic Polyester Glass Filled UL94V-0.

Contacts: Copper Alloy.

Electrical Characteristics:

Current Rating : 1 A.

Dielectric Withstanding Voltage: AC 750V.

Insulator Resistance: 10000MΩ min.

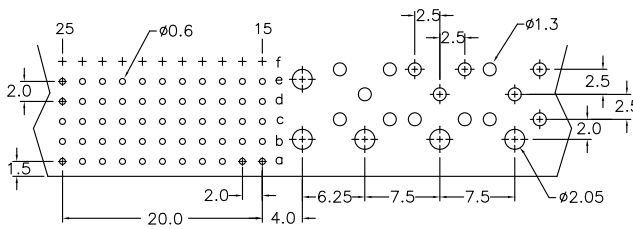
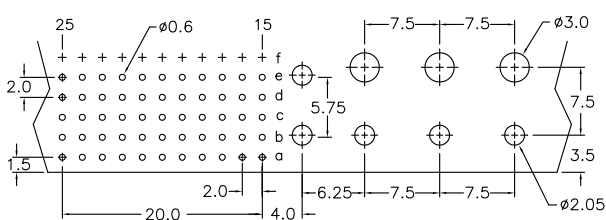
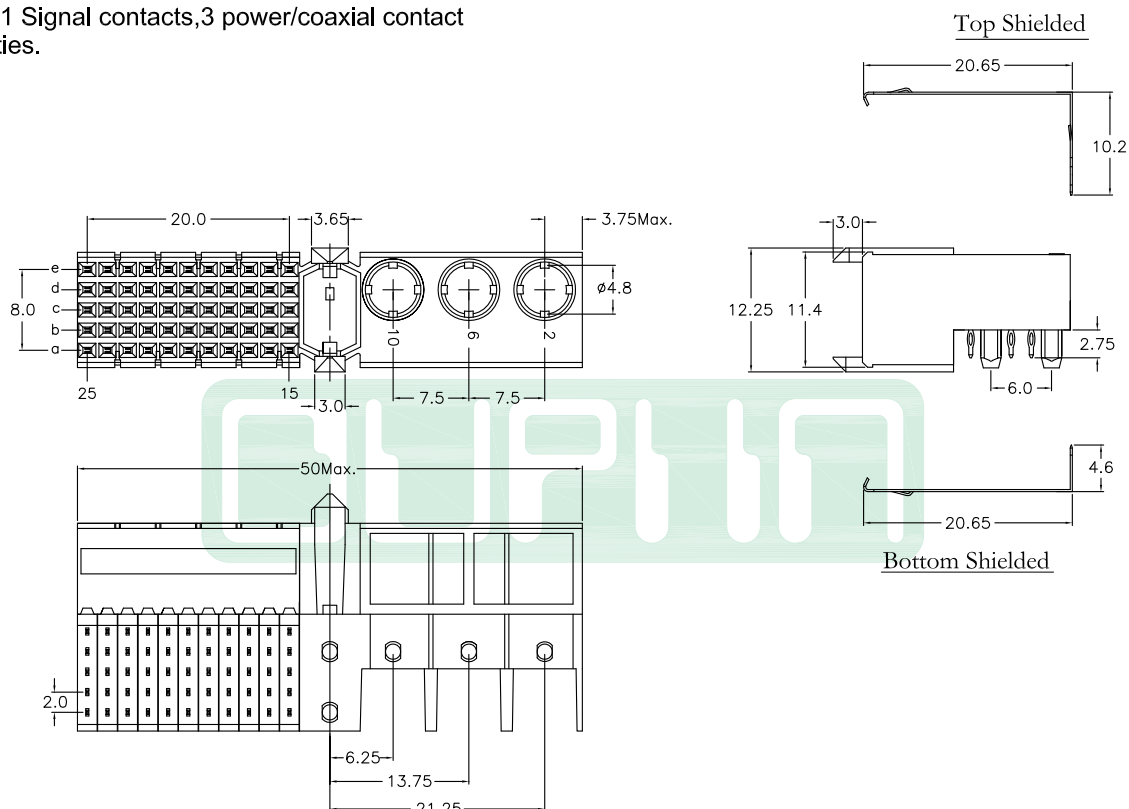
Contact Resistance: 20mΩ max.

Operating Temperature: -55°C ~+125°C.

Features:

* Type M Right Angle Female.

* 5 X 11 Signal contacts,3 power/coaxial contact cavities.



Ordering information

9111- 7 2 M
Series 7Row 2: Female M: Type M, 55 Signal+3 Cavities

1

1: None Shielded
2: Top Body Shielded
3: Top Body Shielded and Bottom Shielded (Package Separately)

CB

CB:Contact Au+Pd/Ni, Dip Tin plated

30

30: 30 μ"

U

U: Tube Package