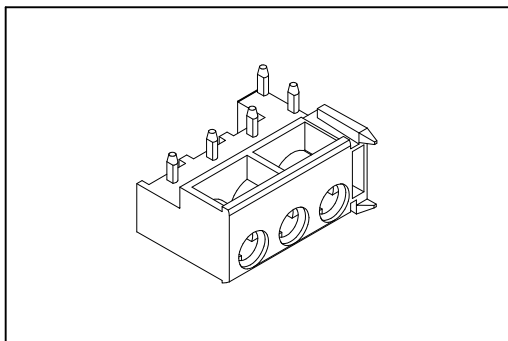


9111 Series

Hard Metric Connector Female Right Angle

Type N



Material:

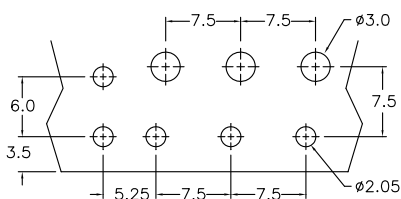
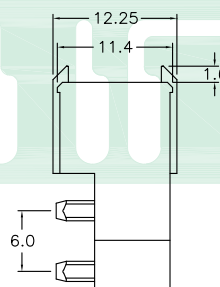
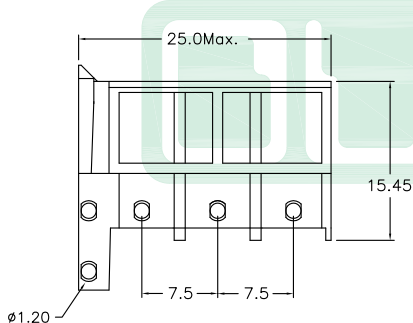
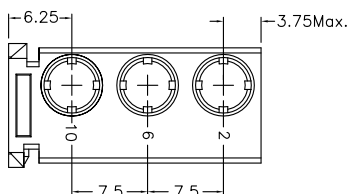
Housing: High Temperature Plastic UL94V-0.

Electrical Characteristics:

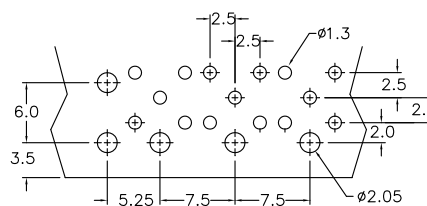
Operating Temperature: -55°C ~+125°C.

Features:

- * Type N With 3 power/coaxial contact cavities.
- * Housing only.



P.C. Board Layout for Power Contact



P.C. Board Layout for Coaxial Contact

Ordering information

9111- 7 2 N B
 Series 7Row 2: Female N: Type N, 3 Cavities B: Bulk Package