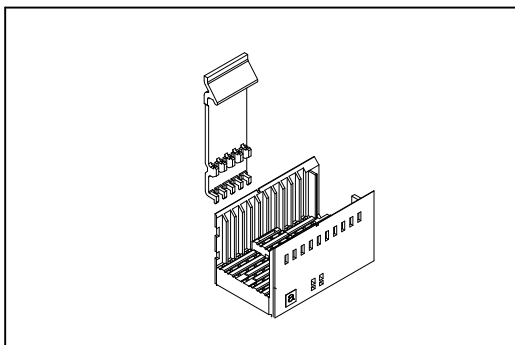


9111 Series

H.D. 2.0mm (0.079") Male Type C Shroud 5 Rows



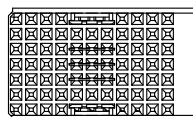
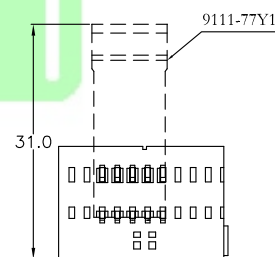
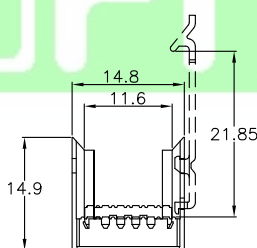
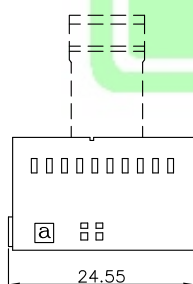
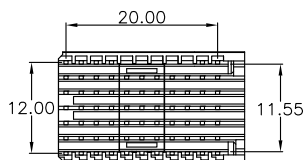
Material:

Housing: Thermoplastic Polyester Glass Filled UL94V-0.

Latch: Thermoplastic Polyester Glass Filled UL94V-0.

Electrical Characteristics:

Operating Temperature: -55°C ~+125°C.



Ordering information

<u>9111-</u>	<u>7</u>	<u>7</u>	<u>C</u>	<u>77</u>	<u>Y</u>	<u>R</u>	<u>U</u>
Series	7: 7Row	With Locking Device Type	Housing Type	Position	Y: Housing Color	R: Underlay	U: Tube Package

* Latch (9111-77Y1B)