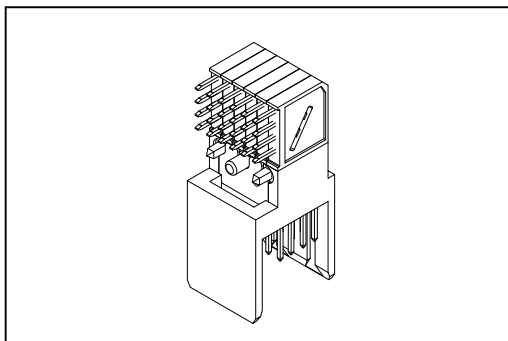


9111-A Series

H.D 2.0mm(0.079") Futurebus (+)4 Rows Male Right Angle Type



Material:

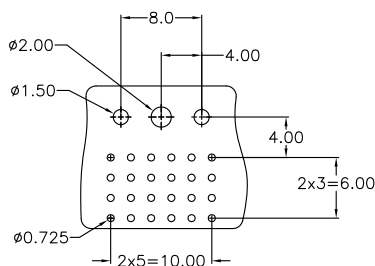
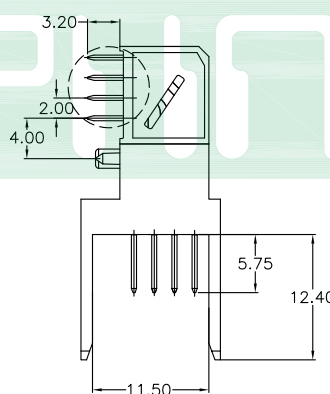
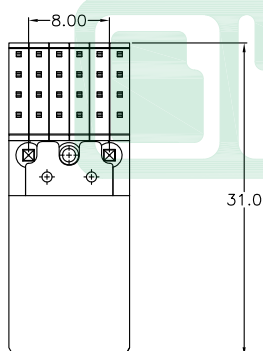
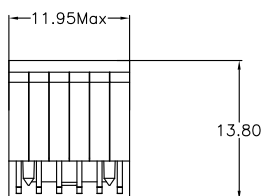
Housing: Thermoplastic Polyester Glass Filled UL94V-0.
 Contacts: Copper Alloy.

Electrical Characteristics:

Current Rating: 2 A.
 Dielectric Withstanding Voltage: AC 1500V.
 Insulator Resistance: 1000MΩ min.
 Contact Resistance: 20mΩ max.
 Operating Temperature: -55°C ~+125°C.

Features:

- * 2mm high density futurebus+ male right angle solder and Press Fit Type.
- * Available pin count 24.
- * Side by side stackable.
- * Push-Fit peg.



P.C. Board Layout



Dip Type



Press Fit Type

Ordering information

<u>9111-A</u>	<u>4</u>	<u>5</u>	<u>24</u>	<u>B</u>	<u>1</u>	<u>1</u>	<u>CB</u>	<u>30</u>	<u>D</u>	<u>U</u>
Series	4: 4 Rows	5: Male	Position	B: Contact Length 5.75mm	1: Dip Length	0: None Metal Plate 1: With Metal Plate	CB:Contact Au+Pd/Ni, Dip Tin plated	30: 30 μ"	D: Dip Type P: Press Fit Type	U: Tube Package

Information including designs, specifications and components may be changed or updated without notice.

CD06