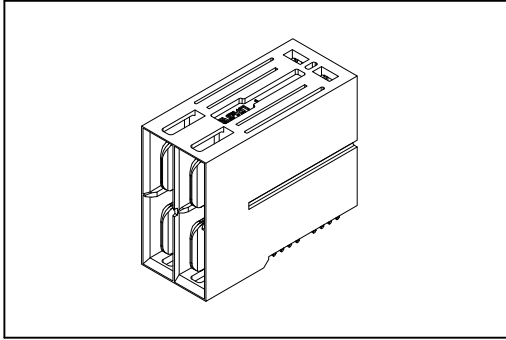


# 9113-A Series

## High Flow Power



### Material:

Housing: High Temperature Plastic UL94V-0.

Contacts: Copper Alloy.

### Electrical Characteristics:

Current Rating: 35 A(2oz\*2)@25°C ambient.

45 A(2oz\*4)@25°C ambient.

Dielectric Withstanding Voltage: AC 1500V.

Insulator Resistance: 1500MΩ min.

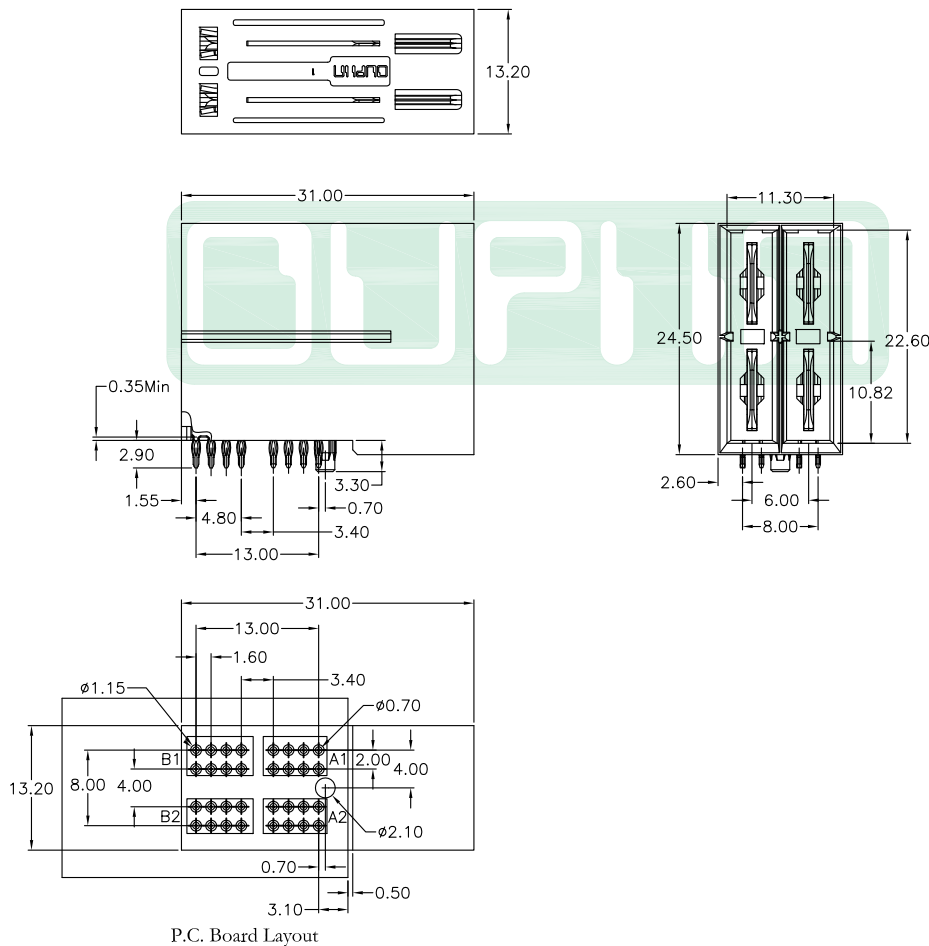
Contact Resistance: 0.5mΩ max.

Operating Temperature: -55°C ~+125°C.

### Features:

\* Additional plating options available.

\* Mates with 9114-A,9114-B.



## Ordering information

9113-	<u>A</u>	<u>2</u>	<u>2</u>	<u>B</u>	<u>CB</u>	<u>30</u>	<u>P</u>	<u>P</u>	<u>A</u>	<u>01</u>
Series	A:Type A	2:2Row	2:Power Pin	B:B Type	CB:Contact Au+Pd/Ni, Dip Tin plated	30: 30 μ"	P: Press Fit Type	P: With Post N: W/O Post	A: Tray Package	Code 01

Information including designs, specifications and components may be changed or updated without notice.

CA11