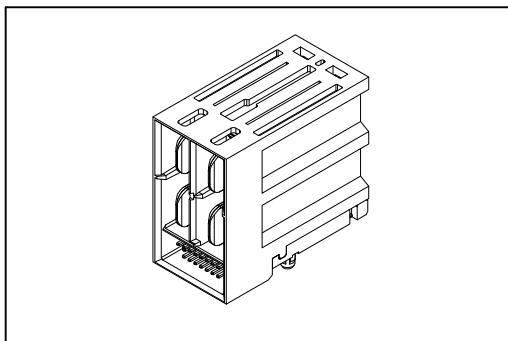


9113-A Series

High Flow Power



Features:

- * Additional plating options available.
- * Mates with 9114-A,9114-B.

Material:

Housing: High Temperature Plastic UL94V-0.
 Contacts: Copper Alloy.

Electrical Characteristics:

Current Rating: Power: 35 A (2oz*2) @ 25°C ambient;
 45 A (2oz*4) @ 25°C ambient.

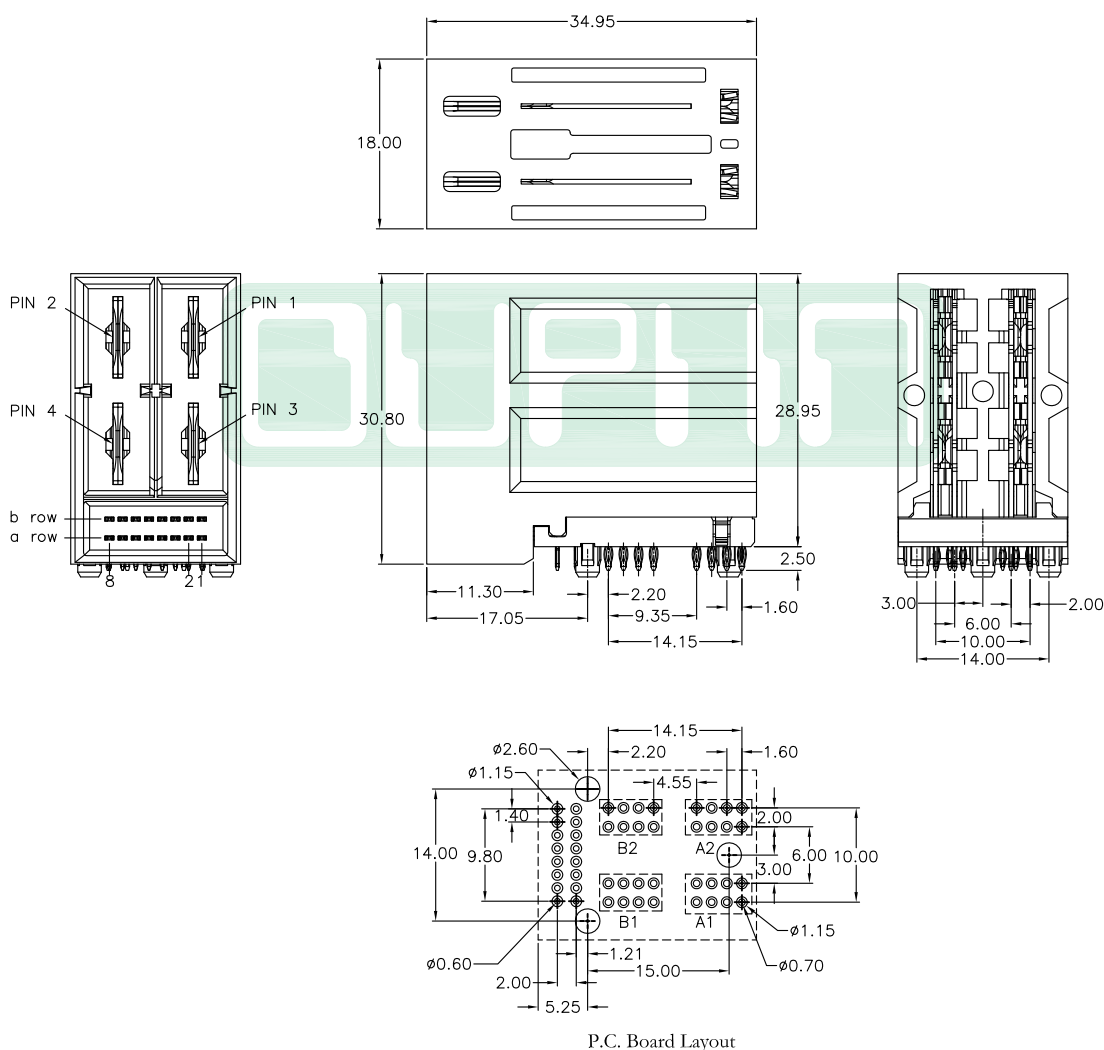
Signal: 1 A @ 25°C ambient.

Dielectric Withstanding Voltage: Power: AC 1500V.
 Signal: AC 750V.

Insulator Resistance: Power: 1500MΩ min.
 Signal: 1000MΩ min.

Contact Resistance: Power: 0.5mΩ max.
 Signal: 30mΩ max.

Operating Temperature: -55°C ~ +125°C.



Ordering information

9113-	A	2	2	B	S16	CB	30	-	CB	30	P	P	A	01
Series	A: Type A	2: 2 Row	2: Power Pin	B: Bottom	S16: Signal Pin	CB: Contact Au+Pd/Ni, Dip Tin plated	30: 30 μ"		CB: Contact Au+Pd/Ni, Dip Tin plated	30: 30 μ"	P: Press Fit Type	P: With Post N: W/O Post	A: Tray Package	Code 01

Information including designs, specifications and components may be changed or updated without notice.

CA18