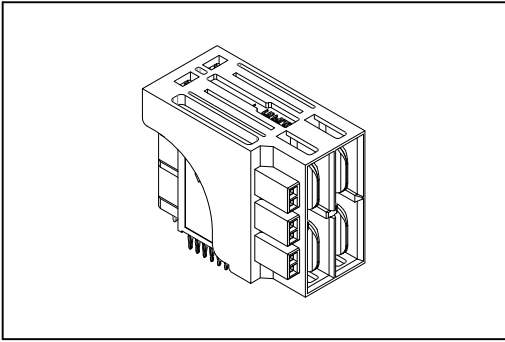


9113-A Series

High Flow Power



Features:

- * Additional plating options available.
- * Mates with 9114-A/B.

Material:

Housing: High Temperature Plastic UL94V-0.
Contacts: Copper Alloy.

Electrical Characteristics:

Current Rating: Power: 35 A (2oz*2) @ 25°C ambient;
45 A (2oz*4) @ 25°C ambient.

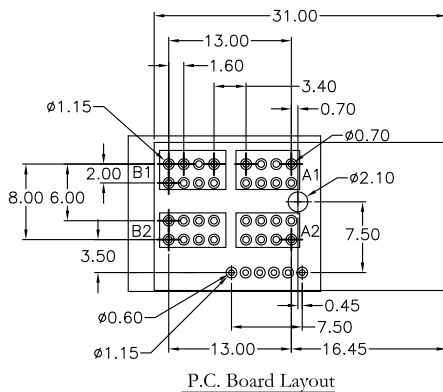
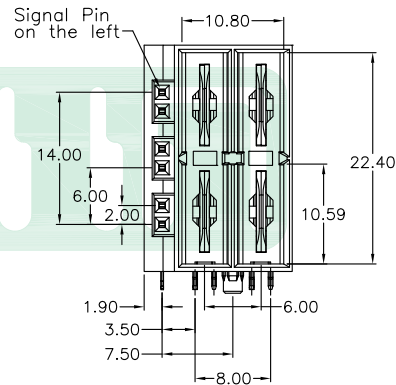
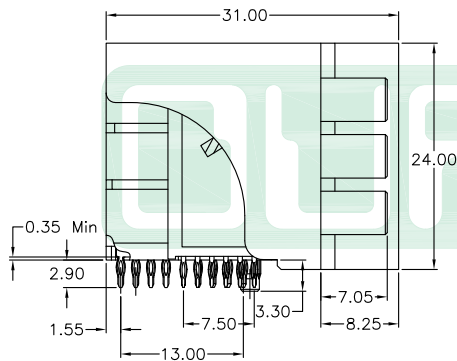
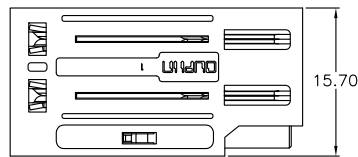
Signal: 1 A @ 25°C ambient.

Dielectric Withstanding Voltage: Power: AC 1500V.
Signal: AC 750V.

Insulator Resistance: Power: 1500MΩ min.
Signal: 1000MΩ min.

Contact Resistance: Power: 0.5mΩ max.
Signal: 30mΩ max.

Operating Temperature: -55°C ~ +125°C.



Ordering information

9113- A 2 2 L S06 CB 30 - CB 30 P P A
 Series A: Type A 2: 2Row 2: Power Pin L: Left S06: Signal Pin CB: Contact 30: 30 μ" CB: Contact 30: 30 μ" P: Press Fit P: With Post A: Tray
 Au+Pd/Ni, Dip Tin plated Au+Pd/Ni, Dip Tin plated Type N: W/O Post Package

Information including designs, specifications and components may be changed or updated without notice.

CA15