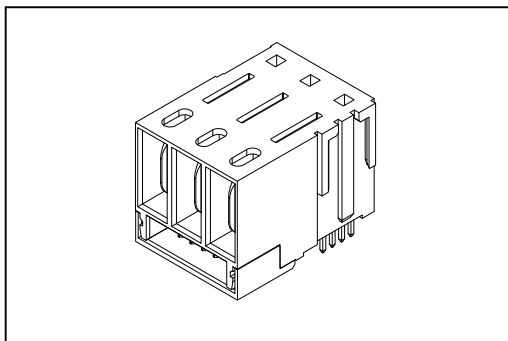


9113-C Series

High Flow Power



Features:

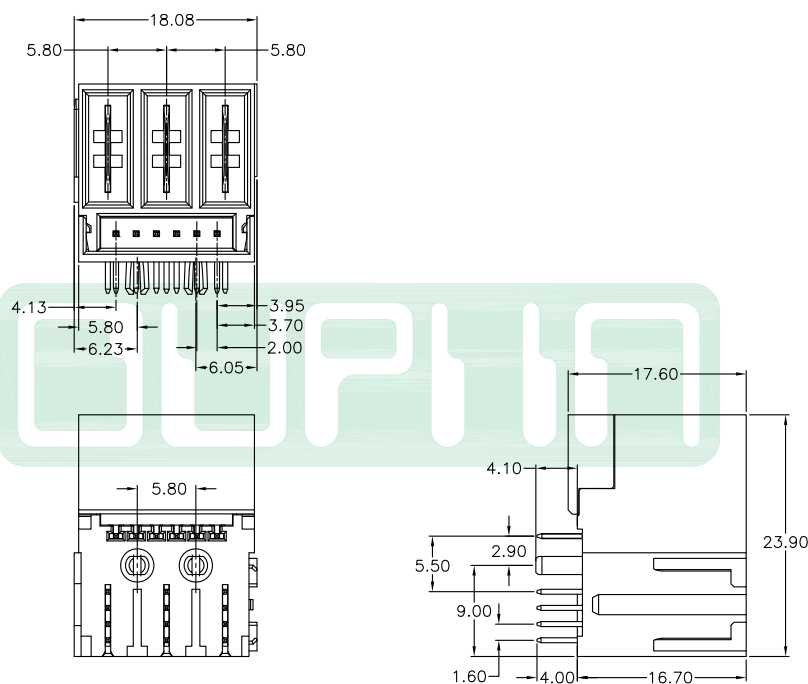
- * Additional plating options available.
- * Mates with 9114-C.

Material:

Housing: High Temperature Plastic UL94V-0.
 Contacts: Copper Alloy.

Electrical Characteristics:

Current Rating: Power: 20 A @ 25°C ambient.
 Signal: 1 A @ 25°C ambient.
 Dielectric Withstanding Voltage: Power: AC 1500V.
 Signal: AC 750V.
 Insulator Resistance: Power: 1500MΩ min.
 Signal: 1000MΩ min.
 Contact Resistance: Power: 1mΩ max.
 Signal: 30mΩ max.
 Operating Temperature: -25°C ~ +105°C.



P.C. Board Layout

Ordering information

<u>9113-</u>	<u>C</u>	<u>1</u>	<u>3</u>	<u>A</u>	<u>B</u>	<u>S06</u>	<u>CB</u>	<u>30</u>	-	<u>CB</u>	<u>30</u>	<u>D</u>	<u>P</u>	<u>A</u>
Series	C:Type C	1:1Row	3:Power Pin	A:A Type	B: Bottom	S06:Signal Pin	CB:Contact Au+Pd/Ni, Dip Tin plated	30: 30 μ"		CB:Contact Au+Pd/Ni, Dip Tin plated	30: 30 μ"	D: Dip Type	P: With Post N: W/O Post	A: Tray Package

Information including designs, specifications and components may be changed or updated without notice.

CA21