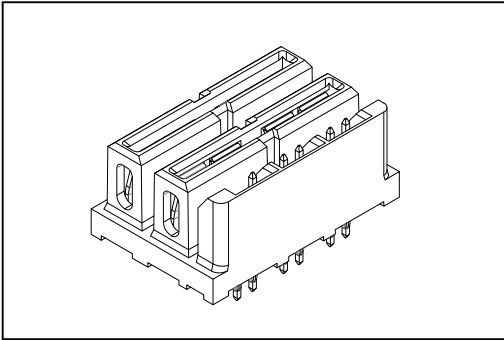


9114-A/B Series

High Flow Power



Features:

- * Additional plating options available.
- * Mates with 9113-A.

Material:

Housing: High Temperature Plastic UL94V-0.
 Contacts: Copper Alloy.

Electrical Characteristics:

Current Rating: Power: 35 A (2oz*2) @ 25°C ambient;
 45 A (2oz*4) @ 25°C ambient.

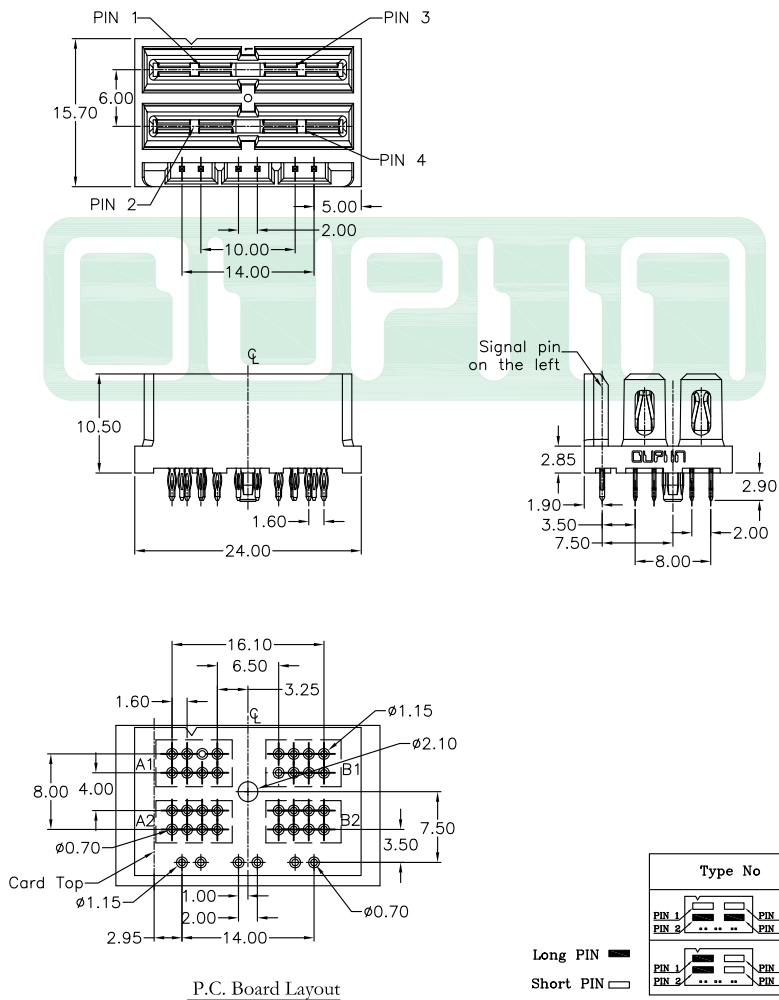
Signal: 1 A @ 25°C ambient.

Dielectric Withstanding Voltage: Power: AC 1500V.
 Signal: AC 750V.

Insulator Resistance: Power: 1500MΩ min.
 Signal: 1000MΩ min.

Contact Resistance: Power: 0.5mΩ max.
 Signal: 30mΩ max.

Operating Temperature: -55°C ~ +125°C.



Ordering information

9114- A 2 2 L S06 CB 30 - CB 30 P P A
 Series A: Type A B: Type B 2: 2Row 2: Power Pin L: Left S06: Signal Pin CB: Contact Au+Pd/Ni, Dip Tin plated 30: 30 μ" CB: Contact Au+Pd/Ni, Dip Tin plated 30: 30 μ" P: Press Fit Type P: With Post N: W/O Post A: Tray Package