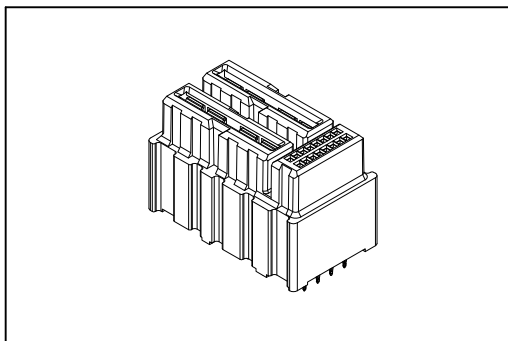


9114-B Series

High Flow Power



Features:

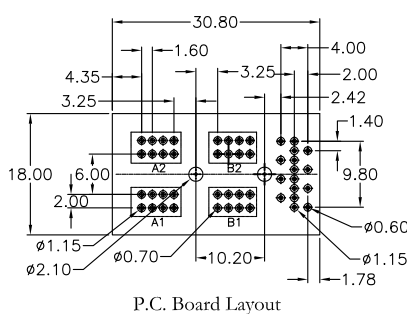
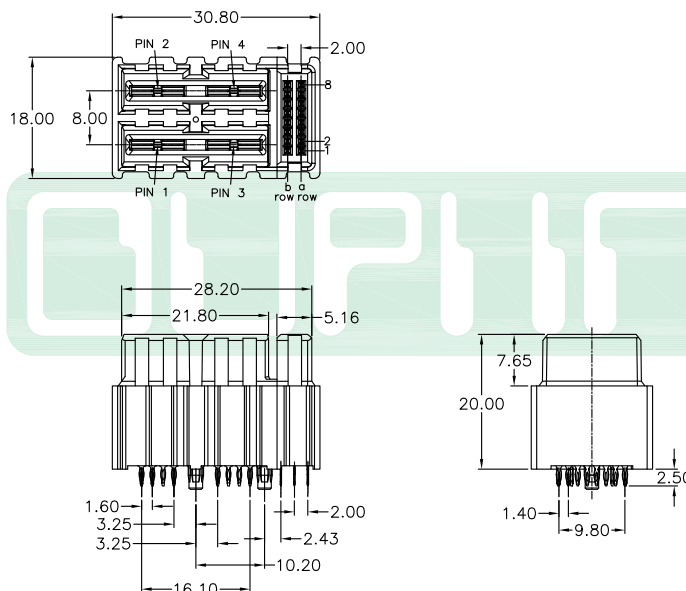
- * Additional plating options available.
- * Mates with 9113-A.

Material:

Housing: High Temperature Plastic UL94V-0.
 Contacts: Copper Alloy.

Electrical Characteristics:

Current Rating: Power: 35 A(2oz*2)@25°C ambient;
 45 A(2oz*4)@25°C ambient.
 Signal: 1 A@25°C ambient.
 Dielectric Withstanding Voltage: Power: AC 1500V.
 Signal: AC 750V.
 Insulator Resistance: Power: 1500MΩ min.
 Signal: 1000MΩ min.
 Contact Resistance: Power: 0.5mΩ max.
 Signal: 30mΩ max.
 Operating Temperature: -55°C ~+125°C.



Long PIN
 Short PIN

Type No	Product No.
	9114-B22AS16CB30-CB30PPA
	9114-B22BS16CB30-CB30PPA
	9114-B22CS16CB30-CB30PPA
	9114-B22DS16CB30-CB30PPA

Ordering information

9114- B 2 2 A S16 CB 30 - CB 30 P P A 01
 Series B:Type B 2:2Row 2:Power Pin A:A Type S16:Signal Pin CB:Contact 30: 30 μ" CB:Contact 30: 30 μ" P: Press Fit P: With Post A: Tray Code 01
 B:B Type C:C Type D:D Type Au+Pd/Ni, Dip Tin plated Au+Pd/Ni, Dip Tin plated Type N: W/O Post Package