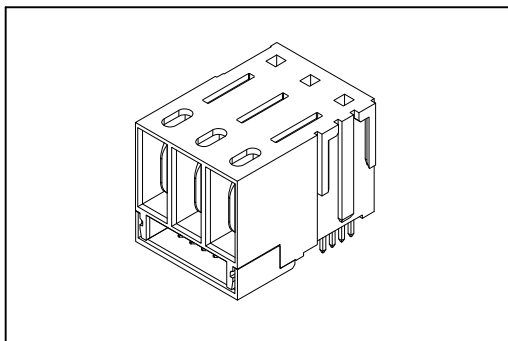


9113-C Series

High Flow Power



Features:

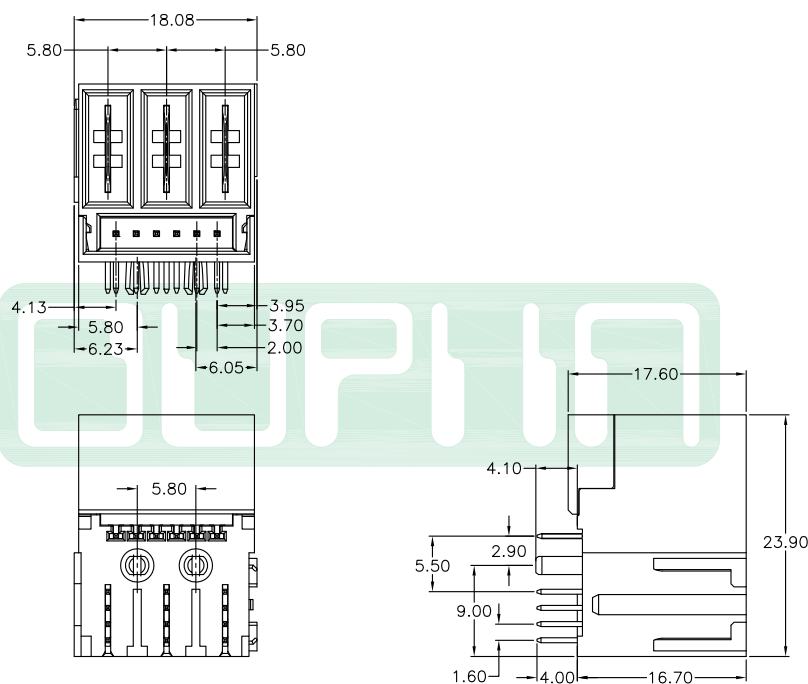
- * Additional plating options available.
- * Mates with 9114-C.

Material:

Housing: High Temperature Plastic UL94V-0.
 Contacts: Copper Alloy.

Electrical Characteristics:

Current Rating: Power: 20 A @ 25°C ambient.
 Signal: 1 A @ 25°C ambient.
 Dielectric Withstanding Voltage: Power: AC 1500V.
 Signal: AC 750V.
 Insulator Resistance: Power: 1500MΩ min.
 Signal: 1000MΩ min.
 Contact Resistance: Power: 1mΩ max.
 Signal: 30mΩ max.
 Operating Temperature: -25°C ~ +105°C.



P.C. Board Layout

Ordering information

9113- C 1 3 A B S06 CB 30 - CB 30 D P A
 Series C:Type C 1:1Row 3:Power Pin A:A Type B: Bottom S06:Signal Pin CB:Contact Au+Pd/Ni, Dip Tin plated 30: 30 μ" CB:Contact Au+Pd/Ni, Dip Tin plated 30: 30 μ" D: Dip Type P: With Post N: W/O Post A: Tray Package