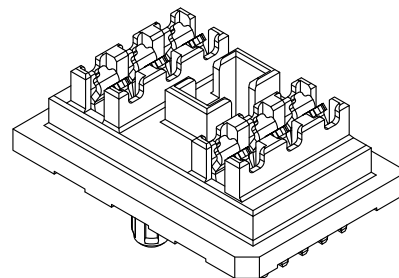
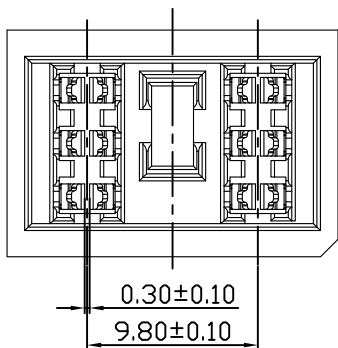


REV.	SPECIFICATION	ECN NO.	APPD.
R1	新版資料發行	E151104	



Material:

Housing: High Temperature Plastic, UL94V-0.

Contacts: Copper Alloy.

Electrical Characteristics:

Current Rating: 40 AMP.

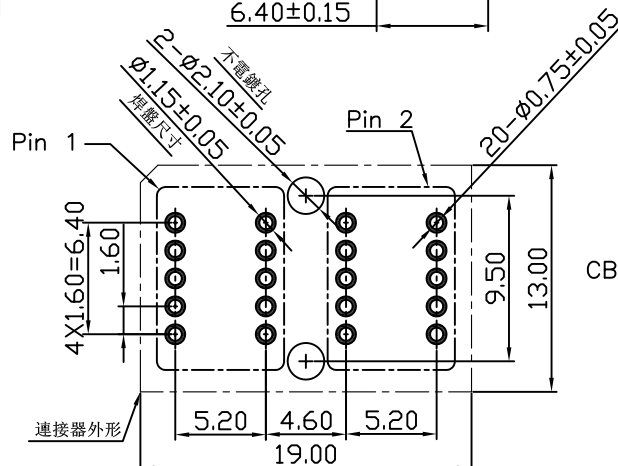
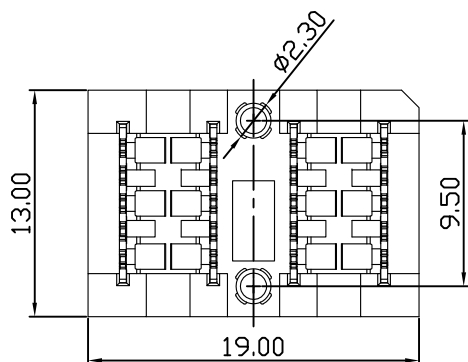
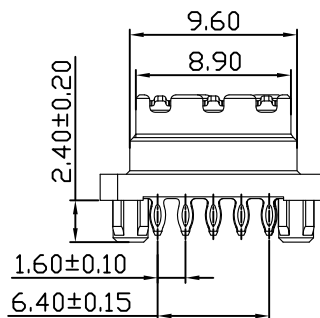
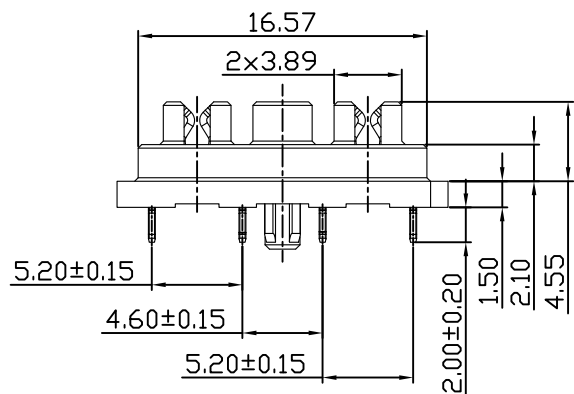
Dielectric Withstanding Voltage: AC 1500V For 1 minute.

Insulator Resistance: 1500MΩ min. at DC 400V.

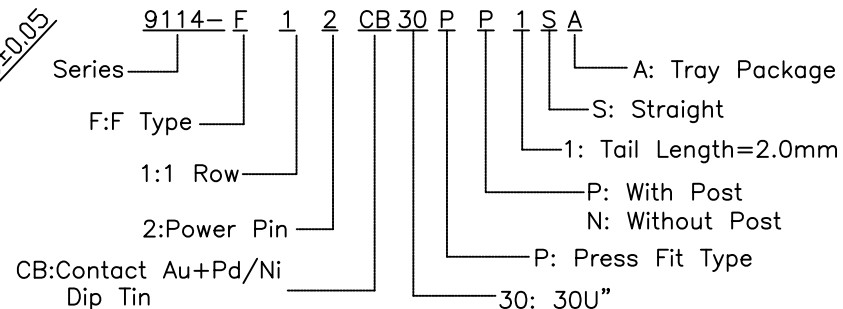
Contact Resistance: 0.5mΩ max.

Operating Temperature: -55°C~+125°C.

***RoHS Compliant.**



P.C. Board Layout
(Tolerance ±0.05)



Tolerances	Dwg NO.	9114-D0000-010	Title:
x = ±0.50	Projection		9114 Series 1.6mm Pitch Power Header
.x = ±0.25	Unit	mm	
.xx = ±0.15	Scale	1:1	
	Drawn By	Allen 04/25'14	

OUPIN ELECTRONIC(KUNSHAN) CO., LTD.			
P/N: 9114-F12CB30PP1SA			
SHEET	1/1	Ver.No.	R1