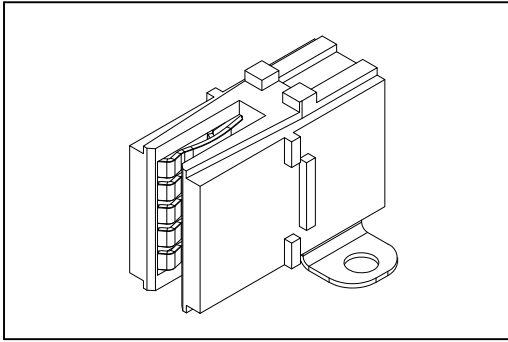


9192 Series

Busbar Clip Power Connector



Material:

Housing: High Temperature Plastic UL94V-0.

Contacts: Copper Alloy.

Electrical Characteristics:

Current Rating: 150 A@25°C ambient.

Dielectric Withstanding Voltage: AC 1500V.

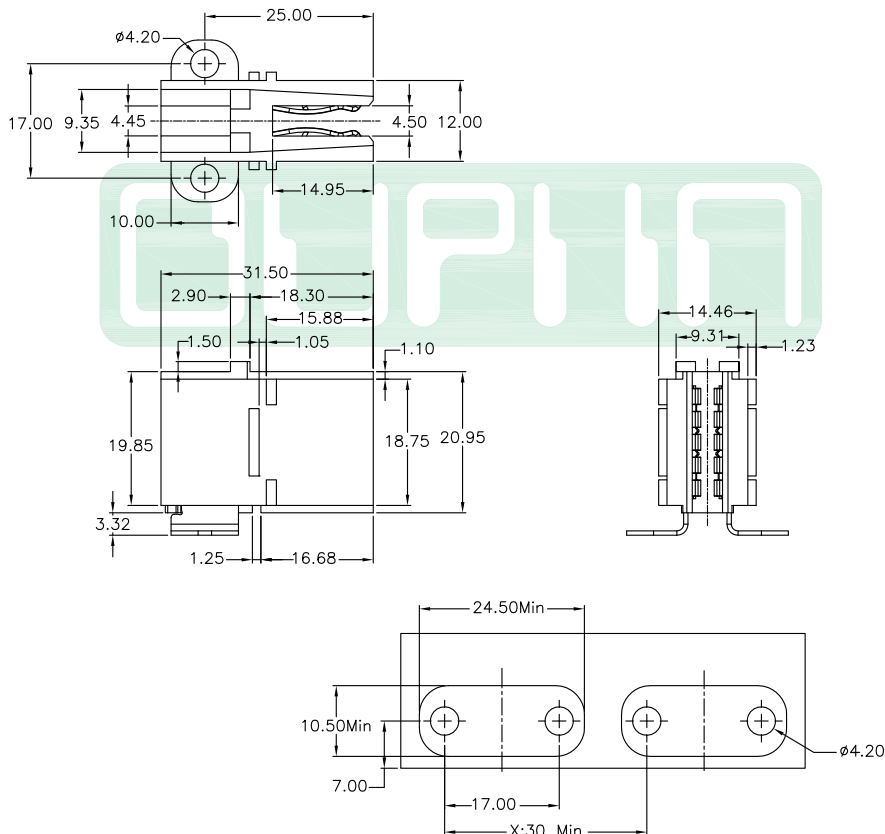
Insulator Resistance: 1500MΩ min.

Contact Resistance: 0.2mΩ max.

Operating Temperature: -40°C~+105°C.

Features:

- * Blind Mate.
- * Hot Plugged 150A at 1.3V.
- * Additional plating options available.
- * Mates With: Busbar Thickness 3.0±0.10mm .



P.C. Board Layout
Thickness: 1.50mm Min

Ordering information

<u>9192-</u>	<u>02</u>	<u>T</u>	<u>N5</u>	<u>A</u>
Series	No. of Pin Count	T: Tin Plated A: Silver Plated	N5: Screw Assembled	A: Tray Package

Information including designs, specifications and components may be changed or updated without notice.

CA01