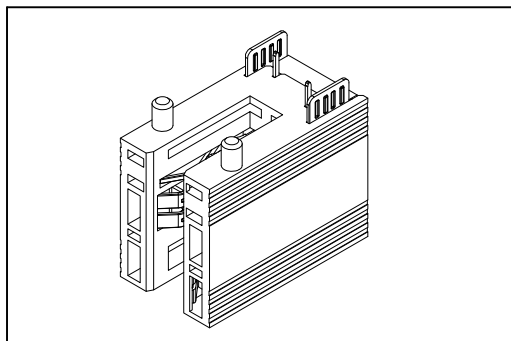


9192-A Series

Busbar Clip Power Connector



Material:

Housing: High Temperature Plastic UL94V-0.

Contacts: Copper Alloy.

Electrical Characteristics:

Current Rating: Power Pin: 16 A@25°C ambient.

Dielectric Withstanding Voltage: AC 1000V.

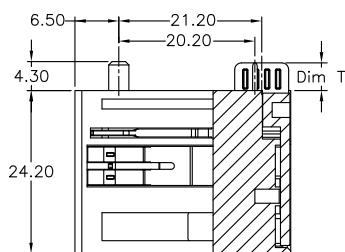
Insulator Resistance: 1500MΩ min.

Contact Resistance: Power: 5mΩ max.

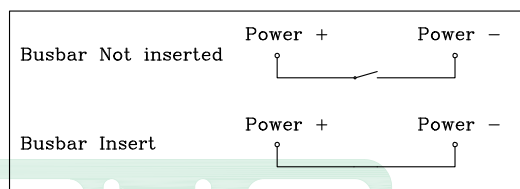
Operating Temperature: -40°C~+105°C.

Features:

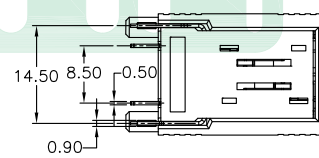
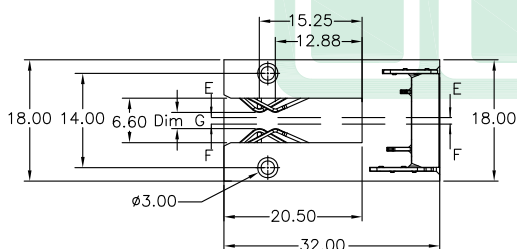
- * Additional plating options available.
- * Mates With: Busbar Thickness 5.0±0.15mm.



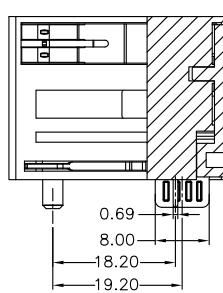
Section F-F



Circuit Diagram For Switch



P.C. Board Layout
Thickness: 2.80mm Min



Section E-E

Ordering information

<u>9192-A</u>	<u>4</u>	<u>P02</u>	<u>S02</u>	<u>P</u>	<u>1</u>	<u>1</u>	<u>A</u>	<u>CB</u>	<u>30</u>	<u>D</u>	<u>A</u>
Series	4: Female Right Angle	Power Contact	Switch	N: W/O Post P: With Post	1: DIM T= 4.10mm	1: DIM G= 2.80mm	A: Power pitch 14.50mm	CB: Contact Au+Pd/Ni, Dip Tin plated	30: 30 μ"	D: Dip Type	A: Tray Package

Information including designs, specifications and components may be changed or updated without notice.

CA03