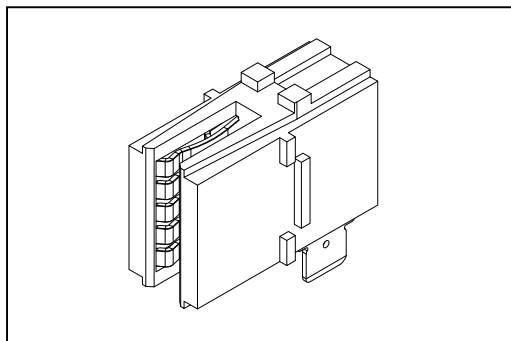


# 9192 Series

## Busbar Clip Power Connector



### Material:

Housing: High Temperature Plastic UL94V-0.

Contacts: Copper Alloy.

### Electrical Characteristics:

Current Rating: 150 A@25°C ambient.

Dielectric Withstanding Voltage: AC 1500V.

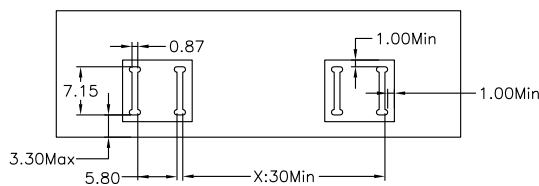
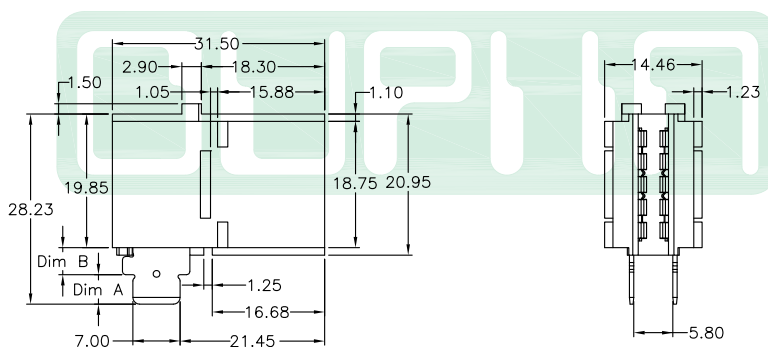
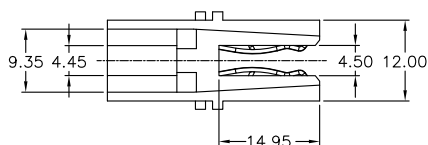
Insulator Resistance: 1500MΩ min.

Contact Resistance: 0.2mΩ max.

Operating Temperature: -40°C~+105°C.

### Features:

- \* Blind Mate.
- \* Hot Plugged 150A at 1.3V.
- \* Additional plating options available.
- \* Mates With: Busbar Thickness 3.0±0.10mm .



Recommended P.C.Board Layout

**Available P/N				
P/N	Dim A	Dim B	PCB Thickness	
* 9192-02AS1A	4.40	4.00	2.00 Max	
9192-02AS2A	5.68	2.70	4.80 Max	

## Ordering information

<u>9192-</u>	<u>02</u>	<u>T</u>	<u>S1</u>	<u>A</u>
Series	No. of Pin Count	T: Tin Plated A: Silver Plated	S1: Straight Type 1 S2: Straight Type 2	A: Tray Package

Information including designs, specifications and components may be changed or updated without notice.

CA02