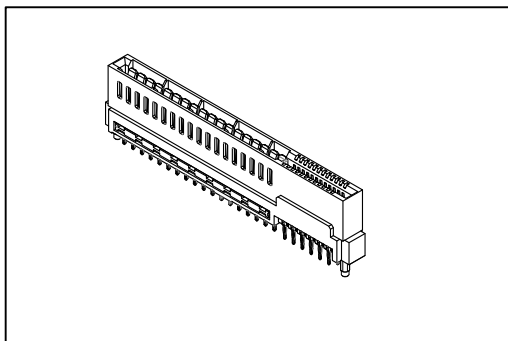


9302 Series

Power And Signal Edge Card Connector



Material:

Housing: High Temperature Plastic UL94V-0.

Contacts: Copper Alloy.

Electrical Characteristics:

Current Rating: Signal Pin 1.5 A@25°C ambient.

Power Pin 12.5 A@25°C ambient .

Dielectric Withstanding Voltage: Signal Pin DC 500V .

Power Pin DC 1000V .

Insulator Resistance: Signal Pin 500MΩ min.

Power Pin 5000MΩ min.

Contact Resistance: Signal Pin 25mΩ max.

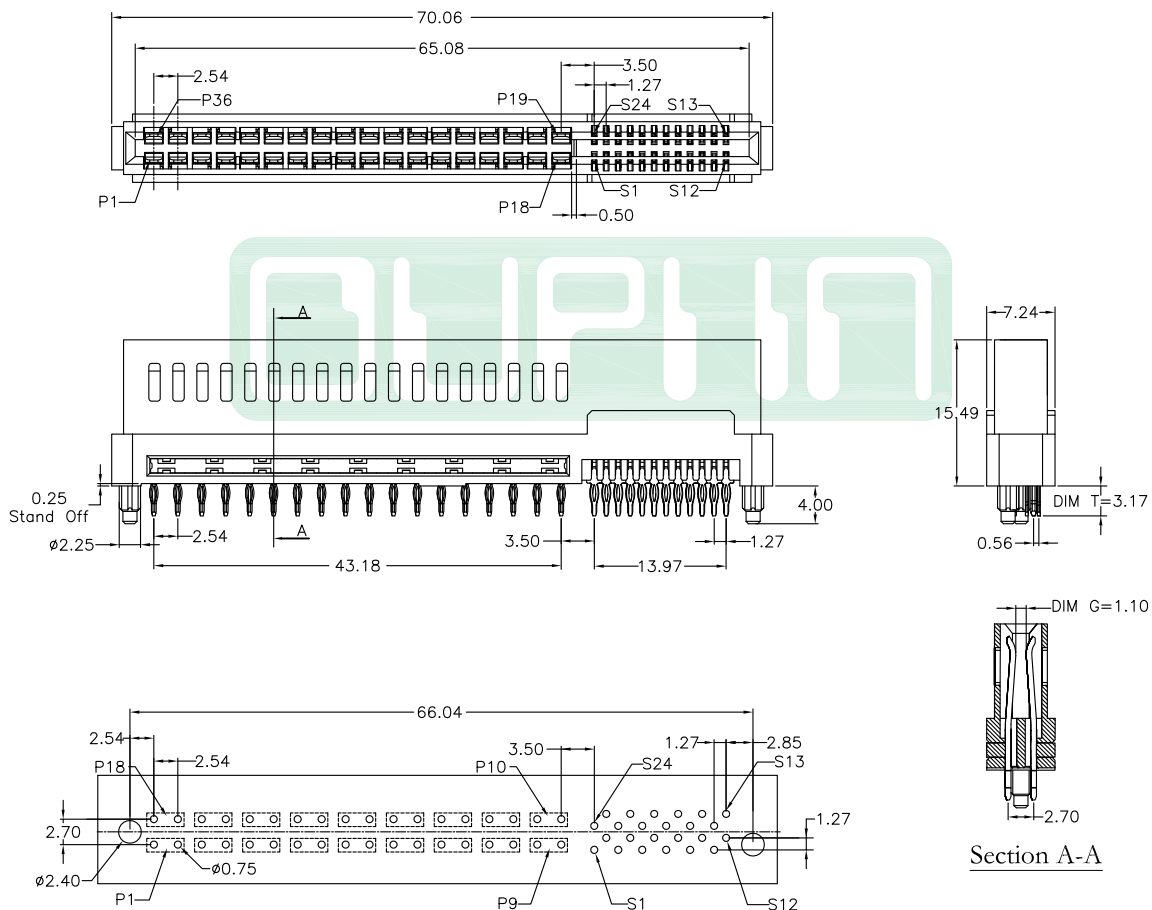
Power Pin 0.6mΩ max.

Operating Temperature: -55°C~+105°C.

Features:

* Additional plating options available.

* Mates With:1.57±0.10mm Thick Edge Card.



P.C. Board Layout

Ordering information

9302-	2	A1	S24	P	1	1	1	A	CB	30	P	A
Series	2: Female Straight	A1:H16P02	Sxx:Signal Pin	P: With Post N: W/O Post	1: DIM T =3.17mm	1: DIM G =1.1mm	1: With Front Key	A:Signal Pitch 1.27mm	CB:Contact Au+Pd/Ni, Dip Tin plated	30: 30μ"	P:Press Fit Type	A:Tray Package

Information including designs, specifications and components may be changed or updated without notice.

CA28