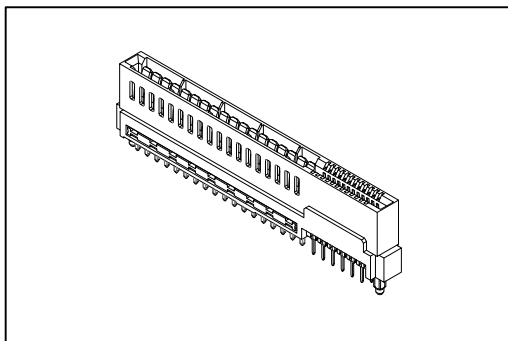


# 9302 Series

## Power And Signal Edge Card Connector



### Material:

Housing: High Temperature Plastic UL94V-0.

Contacts: Copper Alloy.

### Electrical Characteristics:

Current Rating: Signal Pin 1.5 A@25°C ambient.

Power Pin 12.5 A@25°C ambient .

Dielectric Withstanding Voltage: Signal Pin DC 500V .

Power Pin DC 1000V .

Insulator Resistance: Signal Pin 500MΩ min.

Power Pin 5000MΩ min.

Contact Resistance: Signal Pin 25mΩ max.

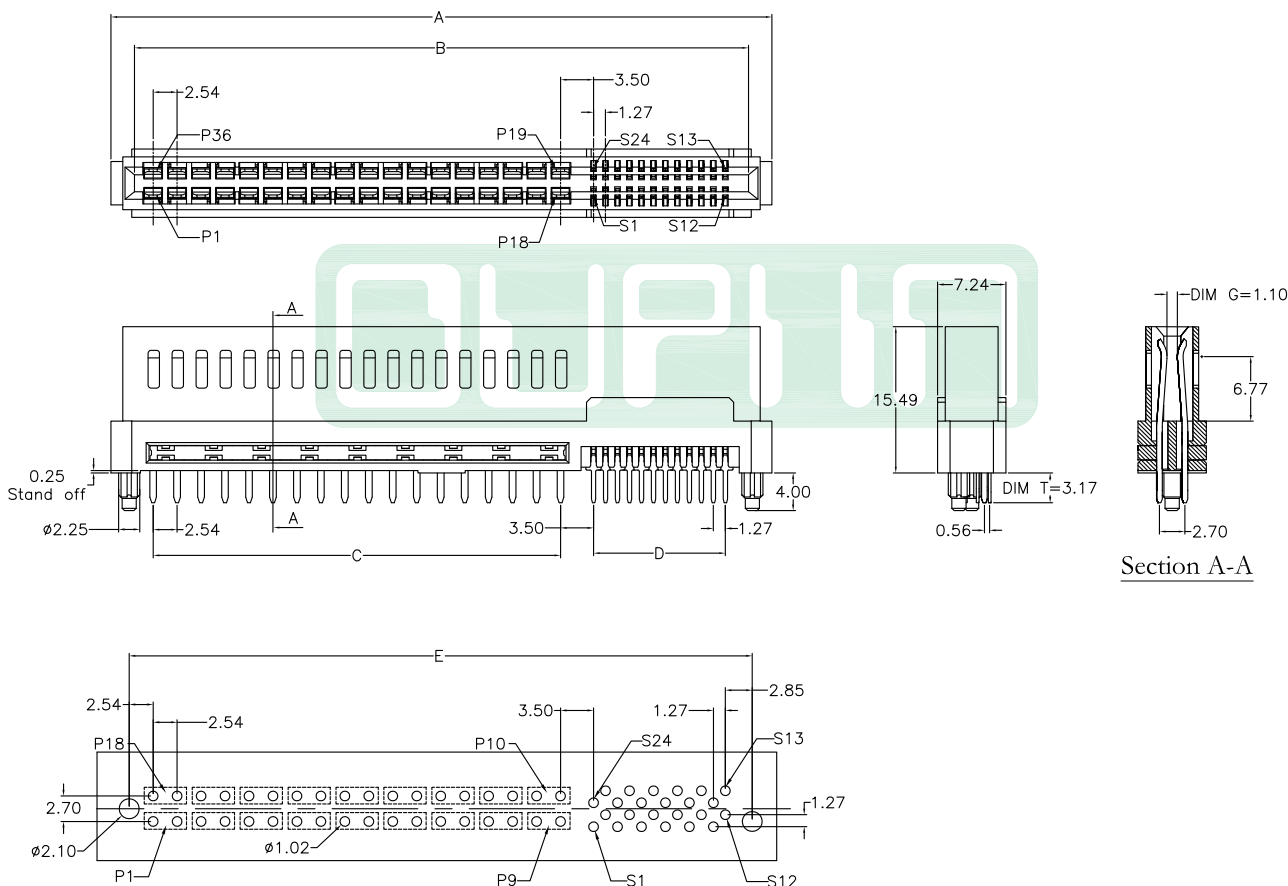
Power Pin 0.6mΩ max.

Operating Temperature: -55°C~+105°C.

### Features:

\* Additional plating options available.

\* Mates With: 1.57±0.10mm Thick Edge Card.



P.C. Board Layout

Available Pos.	Dimension					Post	Front Key
	A	B	C	D	E		
A1(H16P02)+S24	70.06	65.08	43.18	13.97	66.04	Y	N
S24+H08	44.66	39.68	17.78	13.97	40.65	Y	N

## Ordering information

9302- Series    2: Female Straight    A1:H16P02    S24 Sxx:Signal Pin    P: With Post N: W/O Post    1: DIM T =3.17mm    1: DIM G =1.1mm    A:Signal Pitch 1.27mm    CB:Contact Au+Pd/Ni, Dip Tin plated    30: 30µ"    D:Dip Type    A:Tray Package