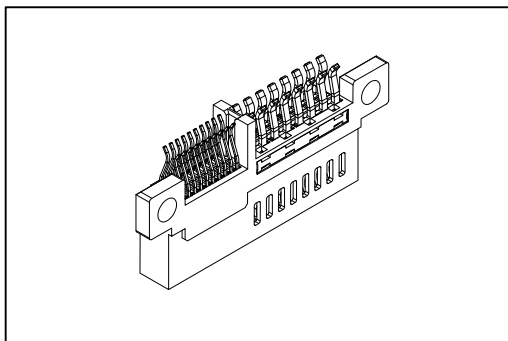


9302 Series

Power And Signal Edge Card Connector



Material:

Housing: High Temperature Plastic UL94V-0.

Contacts: Copper Alloy.

Electrical Characteristics:

Current Rating: Signal Pin 1.5 A@25°C ambient.

Power Pin 12.5 A@25°C ambient.

Dielectric Withstanding Voltage: Signal Pin DC 500V .

Power Pin DC 1000V .

Insulator Resistance: Signal Pin 500MΩ min.

Power Pin 5000MΩ min.

Contact Resistance: Signal Pin 25mΩ max.

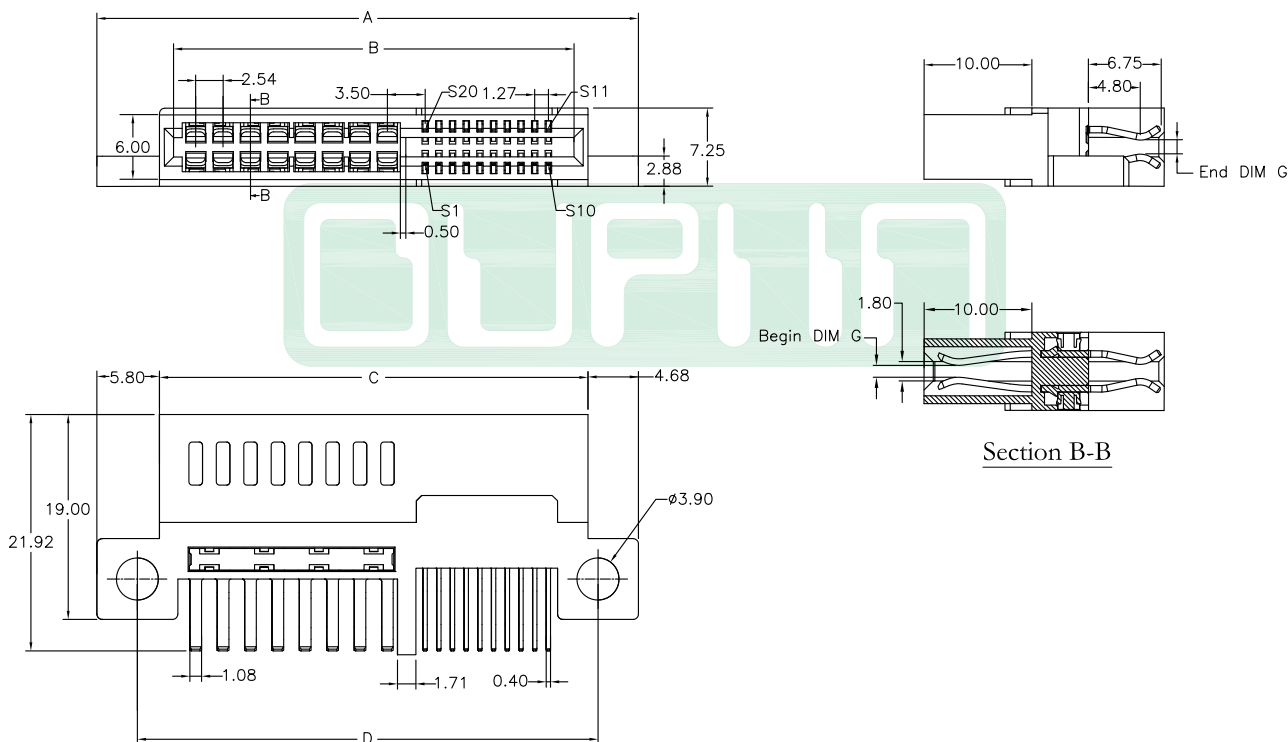
Power Pin 0.6mΩ max.

Operating Temperature: -55°C~+105°C.

Features:

* Additional plating options available.

* Mates With:1.57±0.13mm Thick Edge Card.



Available Pos.	Dimension				Front Key	Host Board Key
	A	B	C	D		
A1(H16P02)+S24	78.16	65.08	67.68	70.66	Y	Y
A1(H16P02)+S24	78.16	65.08	67.68	70.66	N	Y
A3(H04P04)+S20	50.22	37.14	39.74	42.72	Y	Y

Ordering information

9302- 2 A3 S20 N 1 1 1 A CB 30 K A
 Series 2: Female A3:H04P04 Sxx:Signal Pin N: W/O Post 1: Begin DIM G 1: End DIM G 1: See Note A:Signal Pitch CB:Contact 30: 30μ" K: Straddle Type A:Tray
 Straight Package
 =1.1mm =1.3mm 1.27mm Au+Pd/Ni, Dip Tin plated

Note:

- 1: With Front Key,With Host Board Key,With Screw Holes
- 2: With Front Key,W/O Host Board Key,With Screw Holes
- 3: W/O Front Key,With Host Board Key,With Screw Holes
- 4: W/O Front Key,W/O Host Board Key,With Screw Holes

Information including designs, specifications and components may be changed or updated without notice.

CA29