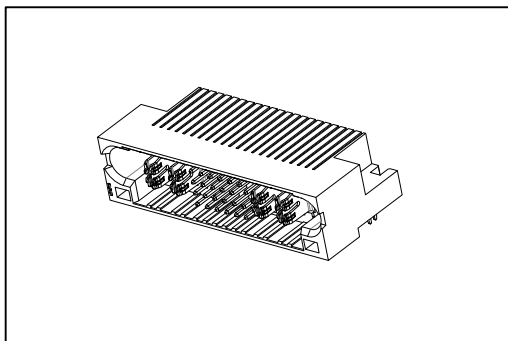


9391 Series

High Power Male Connector Right Angle



Material:

Housing: High Temperature Plastic UL94V-0.

Contacts: Copper Alloy.

Electrical Characteristics:

Current Rating: Signal Pin 2.5 A.

Power Pin 30 A.

Dielectric Withstanding Voltage: Signal Pin DC 1000V.

Power Pin DC 2500V.

Insulator Resistance: Signal Pin 5000MΩ min.

Power Pin 20000MΩ min.

Contact Resistance: Signal Pin 15mΩ max.

Power Pin 0.7mΩ max.

Operating Temperature: -40°C~+105°C.

Features:

*Right Angle Dip & Press Fit Type.

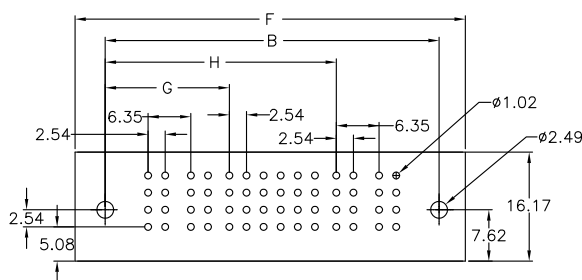
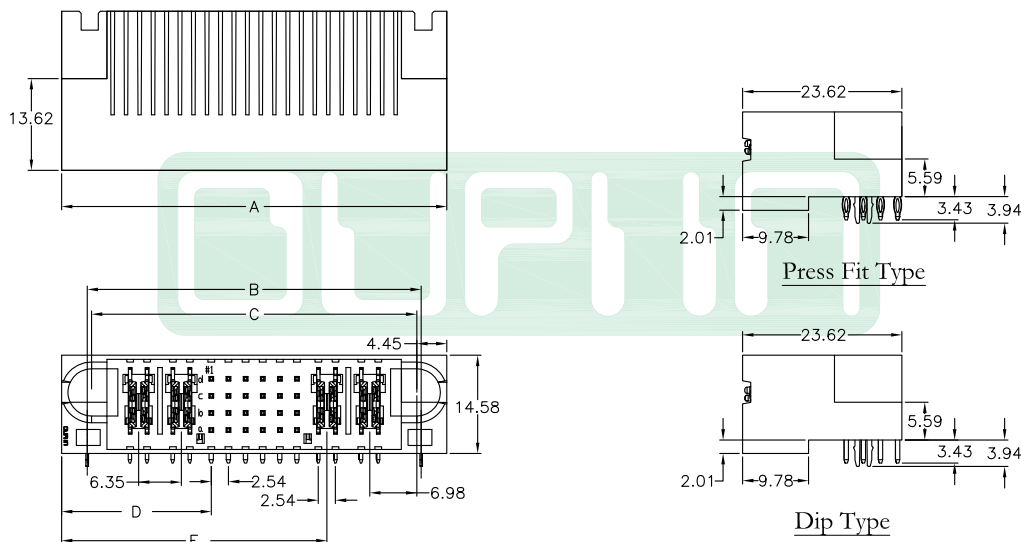
* Additional plating options available.

P: DC Power---PCB Mount 6.35mm Pitch

A: AC Power---PCB Mount 7.62mm Pitch

H: High Density Power---PCB Mount 5.08mm Pitch

S: Signal---PCB Mount 2.54mm Pitch



P.C. Board Layout

Dimension	Length Formulas
A	$6.35 \times (\text{Left Power}) + 2.54 \times (\text{Signal}/4) + 6.35 \times (\text{Right Power}) + 16.52$
B	$6.35 \times (\text{Left Power}) + 2.54 \times (\text{Signal}/4) + 6.35 \times (\text{Right Power}) + 8.91$
C	$6.35 \times (\text{Left Power}) + 2.54 \times (\text{Signal}/4) + 6.35 \times (\text{Right Power}) + 7.62$
D	$6.35 \times (\text{Left Power}) + 9.53$
E	$6.35 \times (\text{Left Power}) + 2.54 \times (\text{Signal}/4) + 11.44$
F	$6.35 \times (\text{Left Power}) + 2.54 \times (\text{Signal}/4) + 6.35 \times (\text{Right Power}) + 17.28$
G	$6.35 \times (\text{Left Power}) + 5.72$
H	$6.35 \times (\text{Left Power}) + 2.54 \times (\text{Signal}/4) + 6.35$

Ordering information

9391-A	1	P02	S24	P02	CB	30	D	L	A
Series	1: Male Right Angle	Blank: W/O Contact Left Power Contact: P _{XX} A _{XX} H _{XX} No. of Position	Blank: W/O Contact Signal Contact: S _{XX} No. of Position	Blank: W/O Contact Right Power Contact: P _{XX} A _{XX} H _{XX} No. of Position	CB: Contact Au+Pd/Ni, Dip Tin plated	30: 30μ"	D: Dip Type P: Press Fit Type	Blank: W/O Lock L: With Lock	A: Tray Package

Information including designs, specifications and components may be changed or updated without notice.