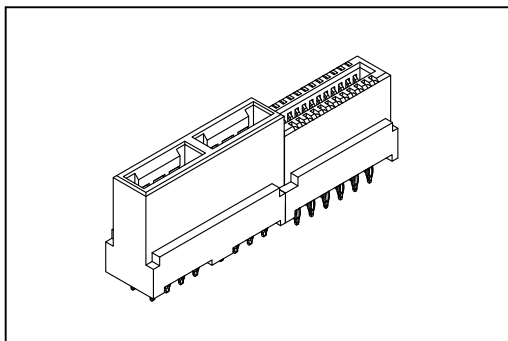


9392 Series

Low Profile Hybrid Power Receptacle



Material:

Housing: High Temperature Plastic UL94V-0.

Contacts: Copper Alloy.

Electrical Characteristics:

Current Rating: Signal Pin 1 A.

Power Pin 30 A.

Dielectric Withstanding Voltage: Signal Pin DC 1500V.

Power Pin DC 1500V.

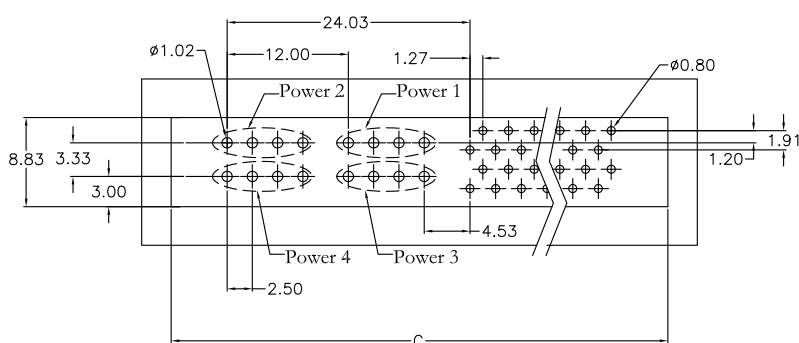
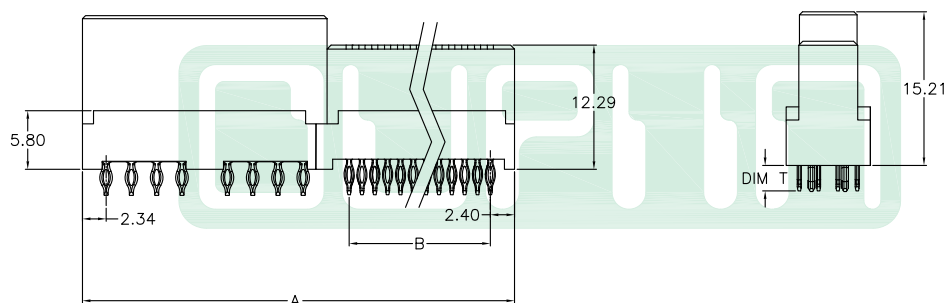
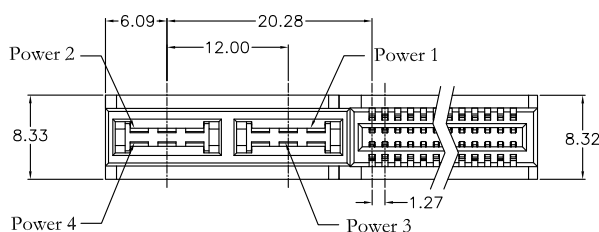
Contact Resistance: Signal Pin 20mΩ max.

Power Pin 20mΩ max.

Operating Temperature: -40°C ~+105°C.

Features:

* Mate with: Edge Card Thickness 1.57mm.



P.C. Board Layout

Type No.	1	2	3	4
DIM T	2.50	2.90	3.60	4.50
*Available Position				
Signal Pin	Dimension			
	A	B	C	
12	35.13	6.35	41.51	
16	37.67	8.89	44.05	
20	40.21	11.43	46.59	
* 24	42.75	13.97	49.13	
28	45.29	16.51	51.67	
32	47.83	19.05	54.21	
36	50.37	21.59	56.75	
40	52.91	24.13	59.29	

Ordering information

9392- 2 P04 S24 N 1 1 CB 30 P A
 Series 2: Female P04: Power Pin S24: Signal Pin N: N/W/O Post 1: None Lead 1: DIM T=2.5mm CB: Contact 30: 30 μ" P: Press Fit A: Tray
 Trough 2: DIM T=2.9mm Au+Pd/Ni, Type Package
 3: DIM T=3.6mm Dip Tin plated
 4: DIM T=4.5mm

Information including designs, specifications and components may be changed or updated without notice.