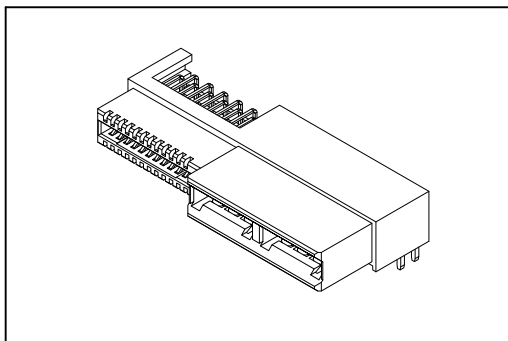


9392 Series

Low Profile Hybrid Power Receptacle



Material:

Housing: High Temperature Plastic UL94V-0.

Contacts: Copper Alloy.

Electrical Characteristics:

Current Rating: Signal Pin 1 A.

Power Pin 30 A.

Dielectric Withstanding Voltage: Signal Pin DC 1500V.

Power Pin DC 1500V.

Insulator Resistance: 1500MΩ min.

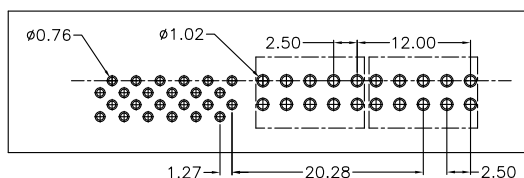
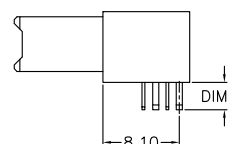
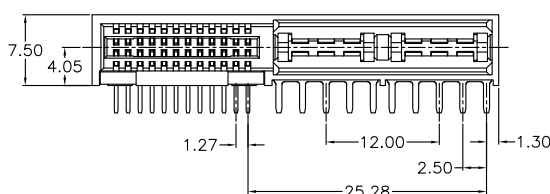
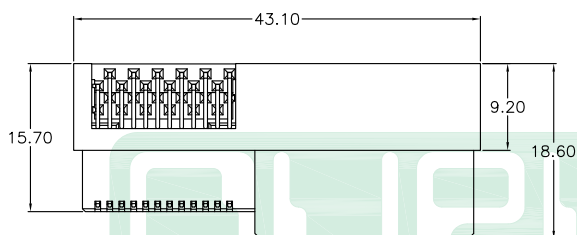
Contact Resistance: Signal Pin 20mΩ max.

Power Pin 5mΩ max.

Operating Temperature: -40°C ~+105°C.

Features:

* Mate with: Edge Card Thickness 1.57mm.



P.C. Board Layout

Type No.	1	2	3	4
DIM T	2.50	2.90	3.60	4.50

Ordering information

9392-	4	S24	P04	N	1	2	CB	30	D	A
Series	4: Female Right Angle	S24: Signal Pin	P04: Power Pin	N:W/O Post	1:None Lead Trough	1: DIM T=2.5mm 2: DIM T=2.9mm 3: DIM T=3.6mm 4: DIM T=4.5mm	CB: Contact Au+Pd/Ni, Dip Tin plated	30: 30 μ"	D:Dip Type	A:Tray Package

Information including designs, specifications and components may be changed or updated without notice.