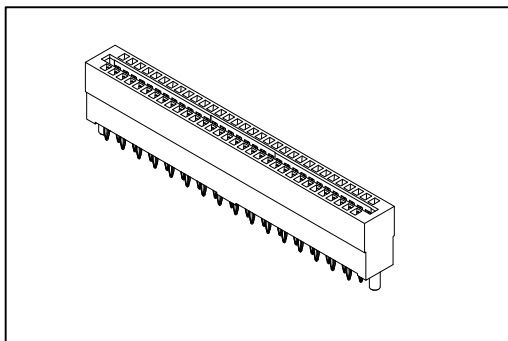


9393 Series

Power Edge Card Connector



Material:

Housing: High Temperature Plastic UL94V-0.

Contacts: Copper Alloy.

Electrical Characteristics:

Current Rating: 12.5 A@25°C ambient.

Dielectric Withstanding Voltage: DC 1000V .

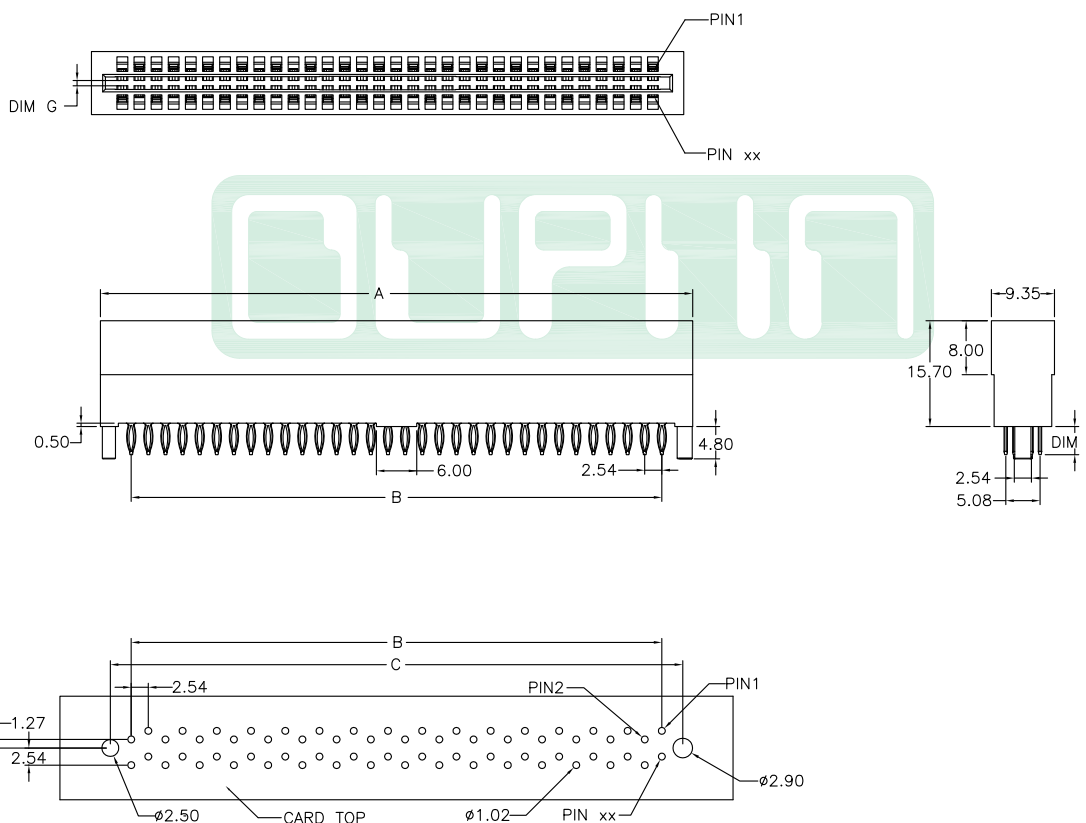
Insulator Resistance: 5000MΩ min.

Contact Resistance: 10mΩ max.

Operating Temperature: -5°C~+105°C.

Features:

- * Additional plating options available.
- * Mates With: 1.57±0.10mm Thick Edge Card.
- * Position from 4 thru 88.



P.C. Board Layout

Available Position	Dimension		
	A	B	C
64	87.88	78.74	84.94
72	98.04	88.90	95.10

Ordering information

9393- Series **2** 2: Female Straight **P64** Position **P** P: With Post **1** 1: DIM T =4.18mm **1** 1: DIM GAP =1.11mm **A** A:Power Pitch 2.54mm **CB** CB:Contact Au+Pd/Ni, Dip Tin plated **30** 30: 30μ" **P** P:Press Fit Type **A** A:Tray Package