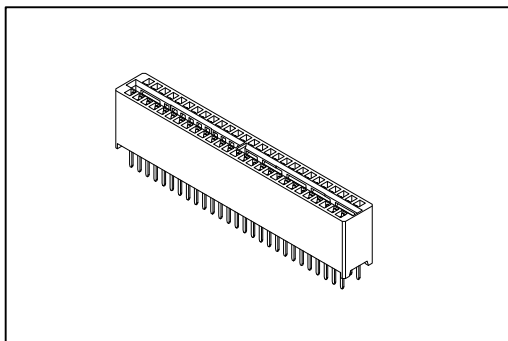


9393-D Series

Power Edge Card Connector



Material:

Housing: High Temperature Plastic UL94V-0.

Contacts: Copper Alloy.

Electrical Characteristics:

Current Rating: 12.5 A@25°C ambient.

Dielectric Withstanding Voltage: DC 1000V .

Insulator Resistance: 5000MΩ min.

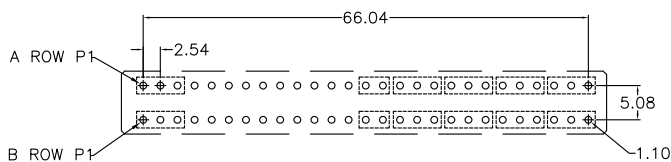
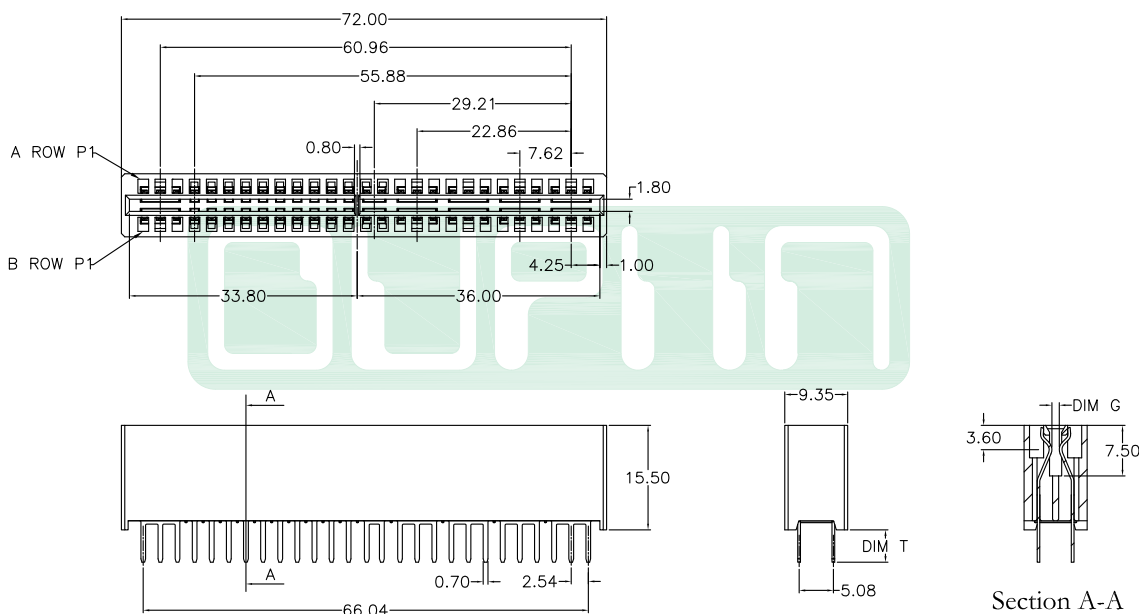
Contact Resistance: 10mΩ max.

Operating Temperature: -5°C~+105°C.

Features:

* Additional plating options available.

* Mates With:1.57±0.13mm Thick Edge Card.



P.C. Board Layout

Ordering information

9393-D	2	A1	N	3	1	1	A	CB	30	D	A
Series	2: Female Straight	A1:Type A1	N: W/O Post	1: DIM T=3.2mm 2: DIM T=2.5mm 3: DIM T=4.8mm	1: DIM G =1.1mm	1:With Front Key	A:Power Pitch 2.54mm	CB:Contact Au+Pd/Ni, Dip Tin plated	30: 30μ"	D: Dip Type	A:Tray Package

Information including designs, specifications and components may be changed or updated without notice.

CA37