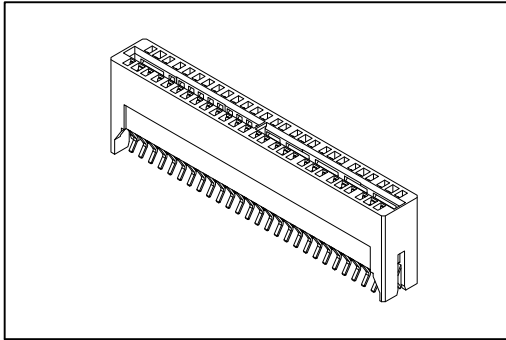


9393-D Series

Power Edge Card Connector



Material:

Housing: High Temperature Plastic UL94V-0.

Contacts: Copper Alloy.

Electrical Characteristics:

Current Rating: 12.5A@25°C ambient.

Dielectric Withstanding Voltage: DC 1000V.

Insulator Resistance: 5000MΩ min.

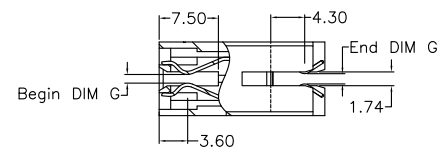
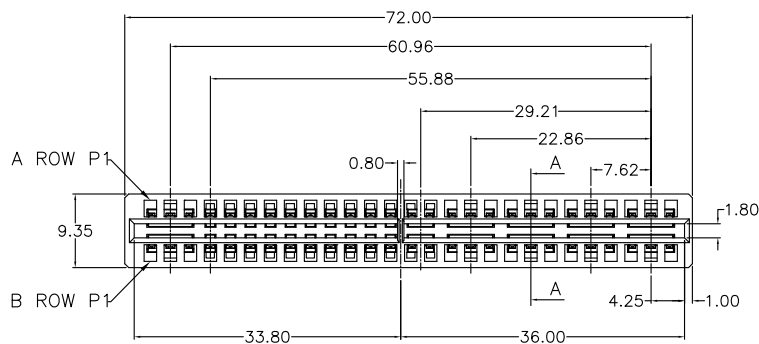
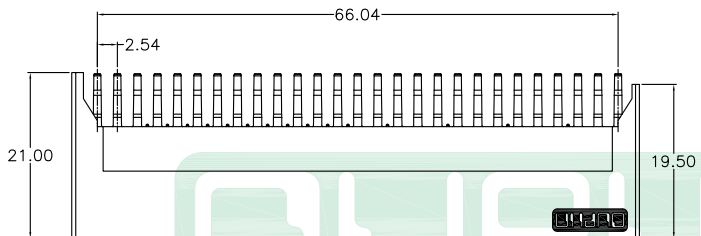
Contact Resistance: 10mΩ max.

Operating Temperature: -5°C~+105°C.

Features:

* Additional plating options available.

* Mates With: 1.57±0.13mm Thick Edge Card.



Section A-A

Ordering information

9393-D 2 A1 N 1 1 6 A CB 30 K A
 Series 2: Female A1:Type A1 N: W/O Post 1: Begin DIM G =1.1mm 1: End DIM G =1.3mm 6: See Note A:Power Pitch 2.54mm CB:Contact Au+Pd/Ni, Dip Tin plated 30: 30μ" K: Straddle Type A:Tray Package

Note:

Blank: W/O Front Key,W/O Host Board Key,W/O Screw Holes

5: With Front Key,With Host Board Key,W/O Screw Holes

6: With Front Key,W/O Host Board Key,W/O Screw Holes

7: W/O Front Key,With Host Board Key,W/O Screw Holes

Information including designs, specifications and components may be changed or updated without notice.

CA39