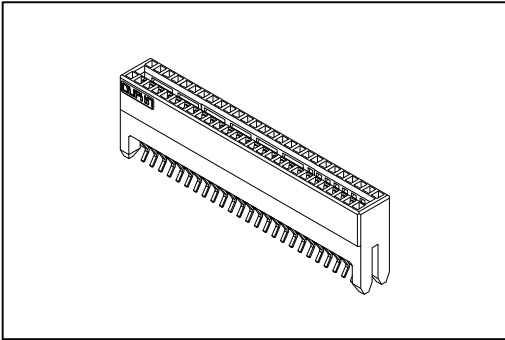


# 9393-E Series

## Power Edge Card Connector



### Material:

Housing: High Temperature Plastic UL94V-0.

Contacts: Copper Alloy.

### Electrical Characteristics:

Current Rating: 12.5A@25°C ambient.

Dielectric Withstanding Voltage: DC 1000V .

Insulator Resistance: 5000MΩ min.

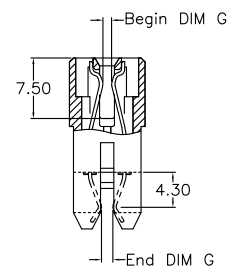
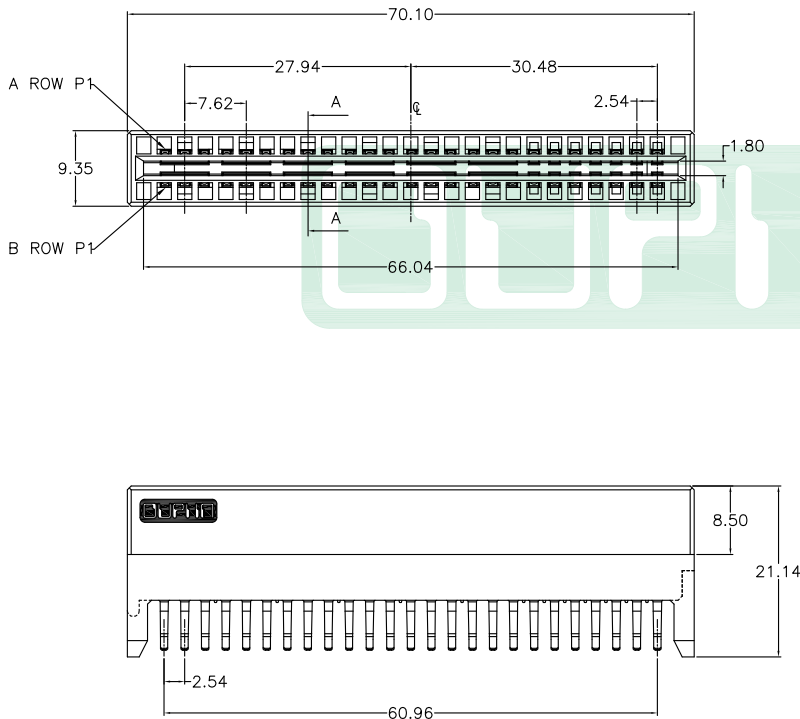
Contact Resistance: 10mΩ max.

Operating Temperature: -5°C~+105°C.

### Features:

\* Additional plating options available.

\* Mates With:1.57±0.13mm Thick Edge Card.



Section A-A

## Ordering information

<b>9393-E</b>	<b>2</b>	<b>A2</b>	<b>N</b>	<b>1</b>	<b>2</b>	<b>A</b>	<b>CB</b>	<b>30</b>	<b>K</b>	<b>A</b>
Series	2: Female Straight	A2:Type A2	N: W/O Post	1: Begin DIM G =1.1mm	1: End DIM G =1.3mm 2: End DIM G =1.4mm	A:Power Pitch 2.54mm	CB:Contact Au+Pd/Ni, Dip Tin plated	30: 30μ"	K: Straddle Type	A:Tray Package

Information including designs, specifications and components may be changed or updated without notice.

CA40