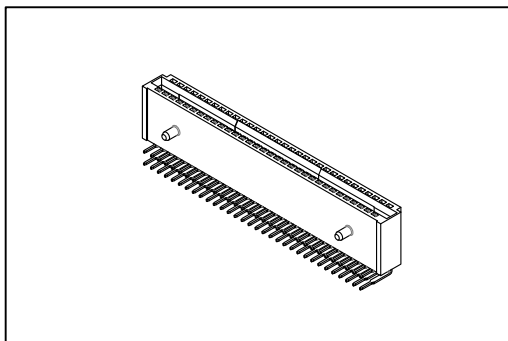


9393-F Series

Power Edge Card Connector



Material:

Housing: High Temperature Plastic UL94V-0.

Contacts: Copper Alloy.

Electrical Characteristics:

Current Rating: 12.5 A@25°C ambient.

Dielectric Withstanding Voltage: DC 1000V .

Insulator Resistance: 5000MΩ min.

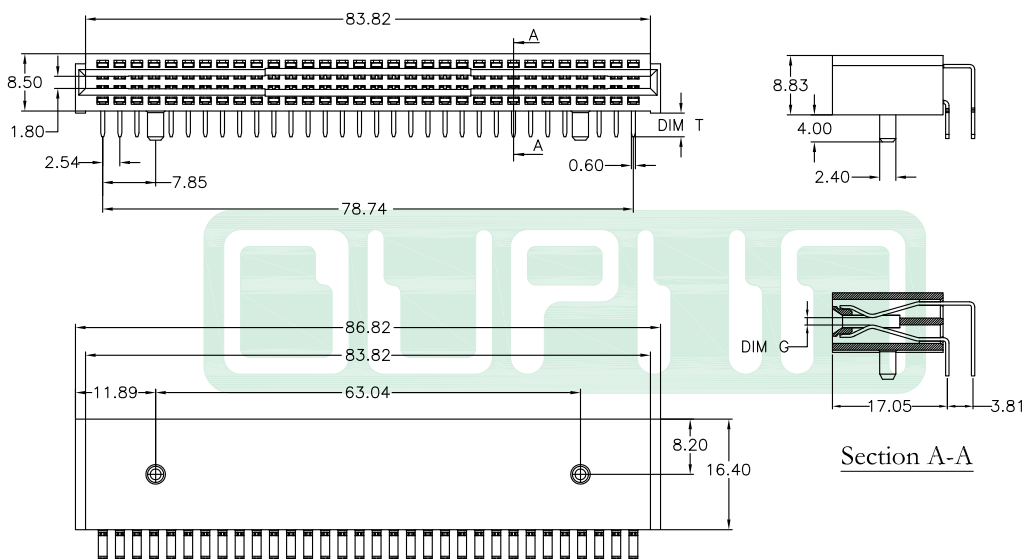
Contact Resistance: 10mΩ max.

Operating Temperature: -5°C~+105°C.

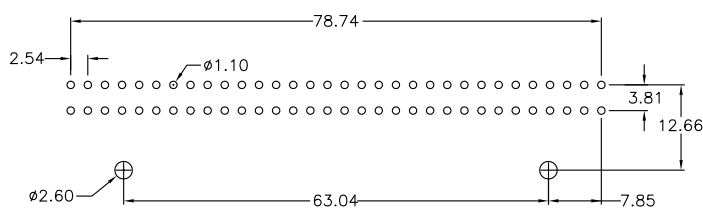
Features:

* Additional plating options available.

* Mates With:1.57±0.13mm Thick Edge Card.



Section A-A



P.C. Board Layout

Ordering information

9393-F	4	1	P64	P	1	1	A	CB	30	D	A
Series	4: Female Right Angle	1: Row Spacing 3.81	Position	P: With Post N: W/O Post	1: DIM T=3.5mm 2: DIM T=2.6mm	1: DIM GAP =1.2mm	A:Power Pitch 2.54mm	CB:Contact Au+Pd/Ni, Dip Tin plated	30: 30μ"	D:Dip Type	A:Tray Package

Information including designs, specifications and components may be changed or updated without notice.

CA45