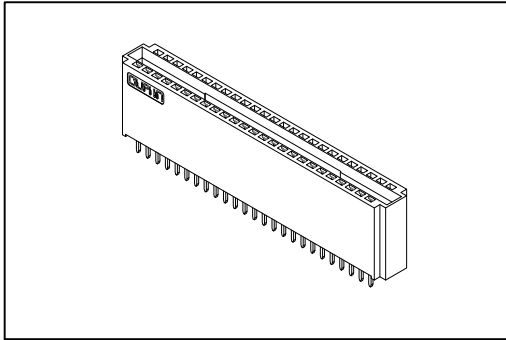


# 9393-F Series

## Power Edge Card Connector



### Material:

Housing: High Temperature Plastic UL94V-0.

Contacts: Copper Alloy.

### Electrical Characteristics:

Current Rating: 7 A@25°C ambient.

Dielectric Withstanding Voltage: DC 1000V .

Insulator Resistance: 5000MΩ min.

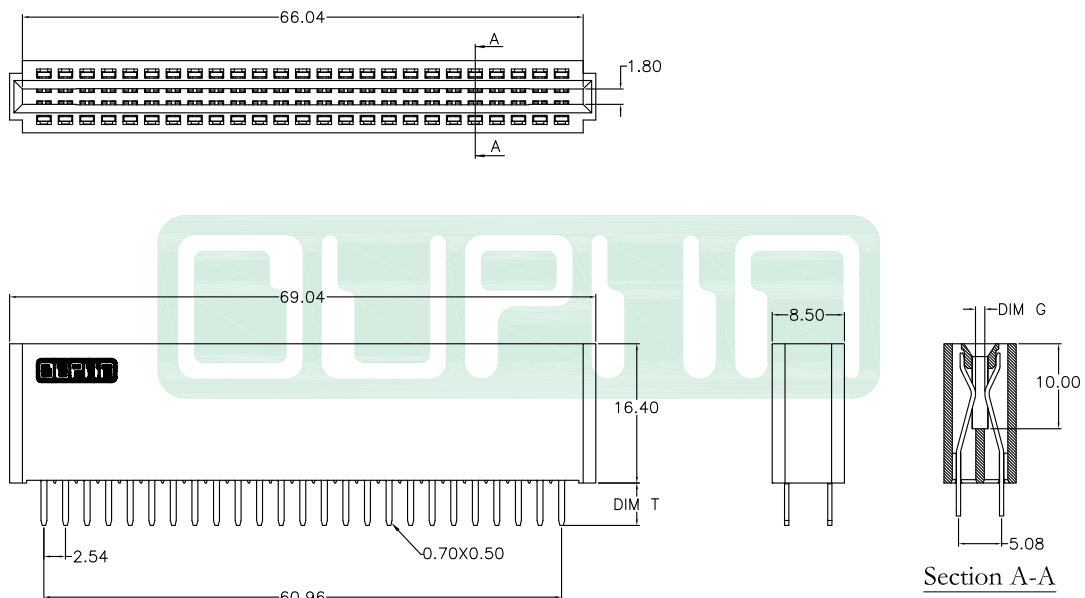
Contact Resistance: 10mΩ max.

Operating Temperature: -5°C~+105°C.

### Features:

\* Additional plating options available.

\* Mates With: 1.57±0.13mm Thick Edge Card.



P.C. Board Layout

## Ordering information

<b>9393-F</b>	<b>L</b>	<b>2</b>	<b>P50</b>	<b>N</b>	<b>1</b>	<b>1</b>	<b>A</b>	<b>C</b>	<b>05</b>	<b>D</b>	<b>A</b>
Series	L:7A	2: Female Straight	Position	P: With Post N: W/O Post	1: DIM T=3.5mm 2: DIM T=2.8mm 3: DIM T=5.0mm	1: DIM GAP =1.2mm	A: Power Pitch 2.54mm	C: Selective Gold Plated	05: 05μ"	D: Dip Type	A: Tray Package

Information including designs, specifications and components may be changed or updated without notice.

CA42