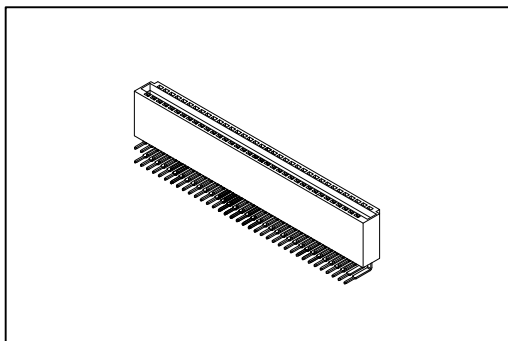


9393-F Series

Power Edge Card Connector



Material:

Housing: High Temperature Plastic UL94V-0.

Contacts: Copper Alloy.

Electrical Characteristics:

Current Rating: 7 A@25°C ambient.

Dielectric Withstanding Voltage: DC 1000V .

Insulator Resistance: 5000MΩ min.

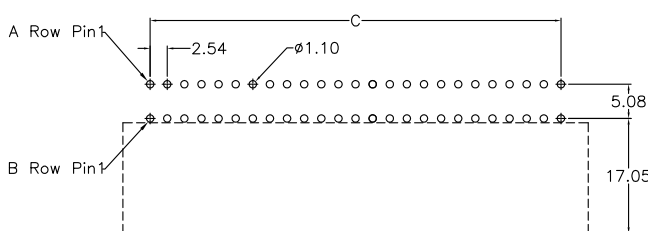
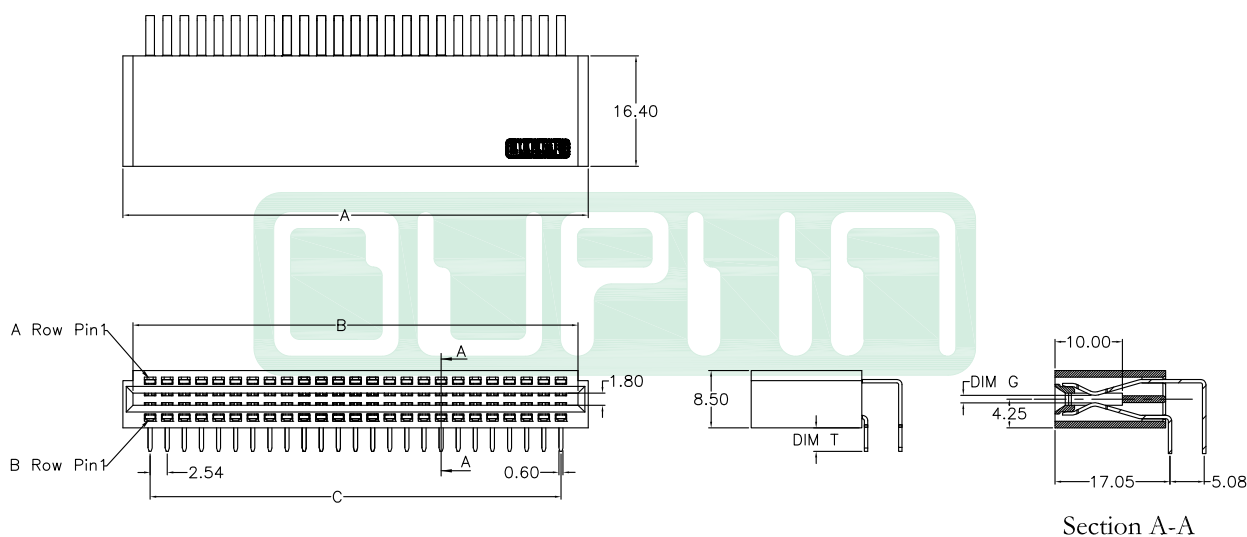
Contact Resistance: 10mΩ max.

Operating Temperature: -5°C~+105°C.

Features:

* Additional plating options available.

* Mates With: 1.57±0.13mm Thick Edge Card.



P.C. Board Layout

Available Pos.	Dimension		
	A	B	C
50	69.04	66.04	60.96
56	76.66	73.66	68.58

Ordering information

9393-F	L	4	P50	N	1	1	A	C	05	D	A
Series	L: 7A	4: Female Right Angle	Position	P: With Post N: W/O Post	1: DIM T =3.5mm 2: DIM T =2.6mm	1: DIM GAP =1.2mm	A:Power Pitch 2.54mm	C:Selective Gold Plated	05: 05μ"	D:Dip Type	A:Tray Package

Information including designs, specifications and components may be changed or updated without notice.

CA44