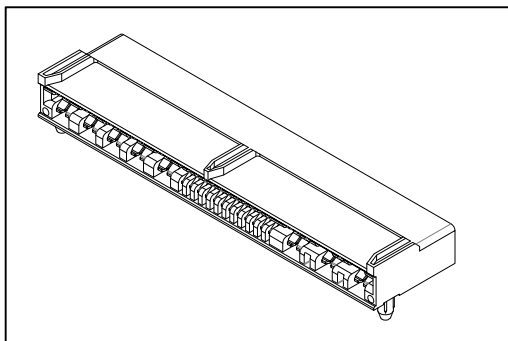


9394 Series

Power Edge Card Connector



Features:

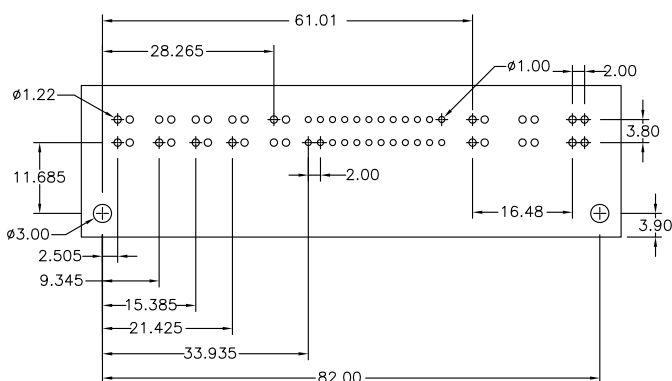
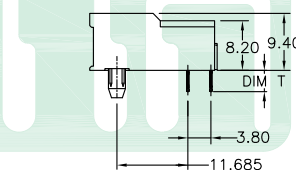
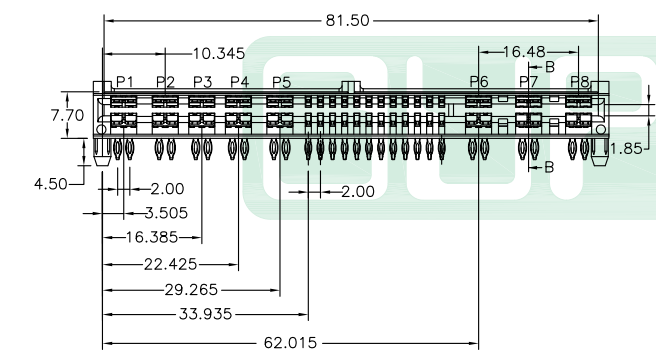
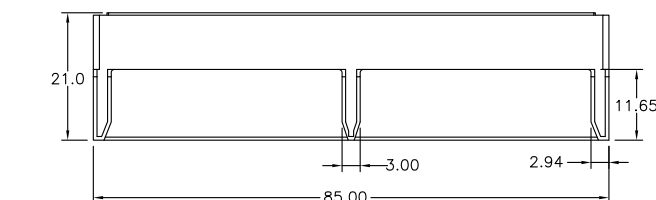
- * Additional plating options available.
- * Mates With:1.6±0.14mm Thick Edge Card.

Material:

Housing:High Temperature Plastic UL94V-0.
Contacts:Copper Alloy.

Electrical Characteristics:

Current Rating: Signal Pin:1 A@25°C ambient.
Power Pin:18 A/AC@25°C ambient.
Power Pin:60A/DC@25°C ambient.
Dielectric Withstanding Voltage:DC Power: 1500V .
AC Power: 2000V .
Signal: 100V .
Insulator Resistance: Power: 5000MΩ min.
Signal: 100MΩ min.
Contact Resistance: Power Pin: 15mΩ max.
Signal Pin: 25mΩ max.
Operating Temperature: -40°C~+95°C.



P.C. Board Layout

ROWS	POWER					SIGNAL												POWER						
	P1	P2	P3	P4	P5	S1	S2	S3	S4	S5	S6	S7	S8	S9	S10	S11	S12	S13	S14	S15	S16	P6	P7	P8
B	PL	PL	PL	PL	PL	L	L	L	L	L	L	L	L	L	L	L	L	L	L	L	L	PL	PS	PS
A	PL	PL	PL	PL	PL	L	L	L	L	L	L	L	L	L	L	L	L	L	L	L	L	PL	PS	PS

DC POWER CONTACT TO THE A FACE DISTANCE 7.5mm,	PS
AC POWER CONTACT TO THE A FACE DISTANCE 8.5mm,	PL
SIGNAL CONTACT TO THE A FACE DISTANCE 8.5mm,	L

Ordering information

9394- 4 A1 P 1 1 1 A CB 30 P A
 Series 4: Female A1: Type 1 P: With Post 1: DIM T =3.5mm 1: DIM G =1.0mm 1: W/O Left Key, With Right Key A:Signal Pitch 2.0mm CB:Contact Au+Pd/Ni, Dip Tin plated 30: 30μ" P: Press Fit Type A:Tray Package