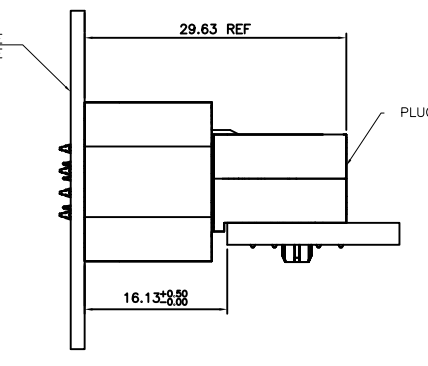
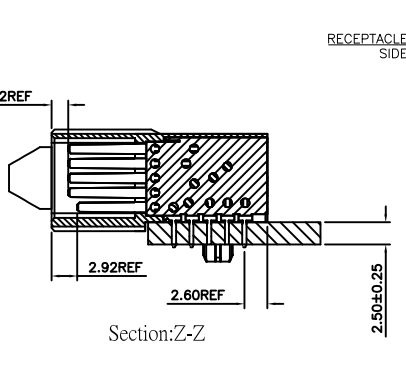
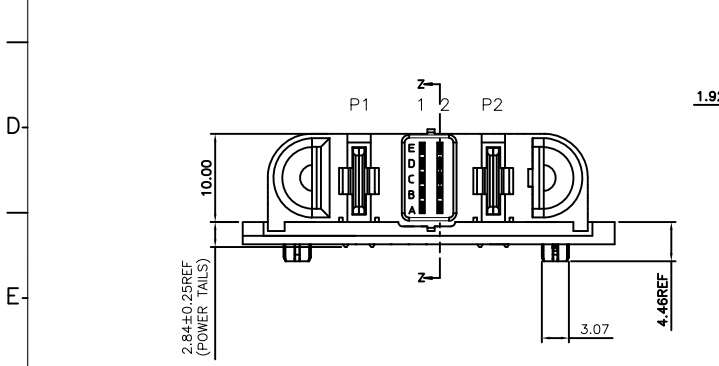
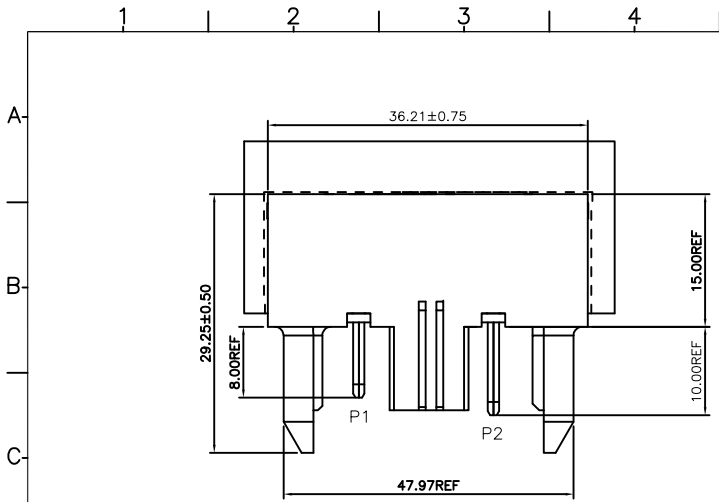


REV.	SPECIFICATION	ECN NO.	APPD.
X5			



Material and Plating:

Housing: LCP, 30% Glass Filled,UL94V-0 , BLACK.
 Power Contacts: High Conductivity Copper .
 Au(3u")+Pd/Ni (27u") gold plated on Contact Area and 80u" Min Tin Plated on Solder Tail over nickel 50u" Min under plated .
 Signal Contacts :Brass .
 Au(3u")+Pd/Ni (27u") gold plated on Contact Area and 80u" Min Tin Plated on Solder Tail over nickel 50u" Min under plated .

Electrical Characteristics:

Current Rating: Signal Pin 2.5 AMP.
 Power Pin 30 AMP.
 Dielectric Withstanding Voltage: DC 1000V For 1 minute.
 Insulator Resistance: 1000MΩ min.
 Contact Resistance: Signal Pin 30mΩ max.
 Power Pin 0.5mΩ max.
 Operating Temperature: -40°C ~+105°C .

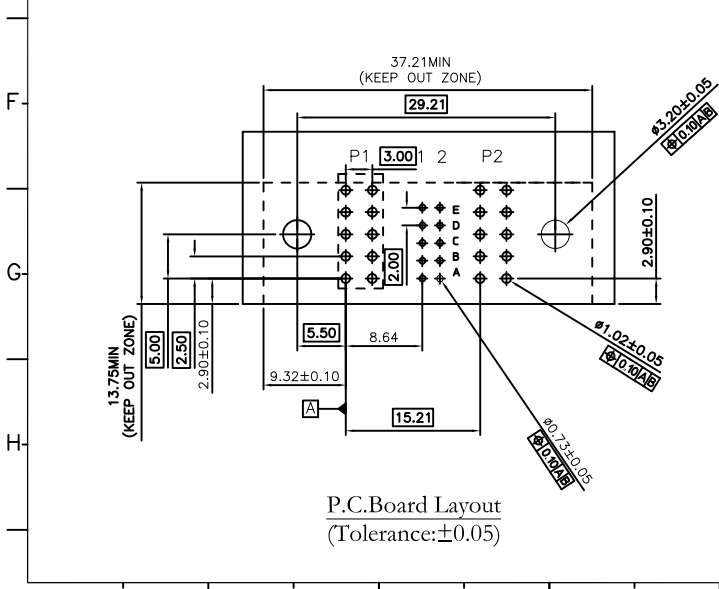
***RoHS Compliant**

Notes 1:

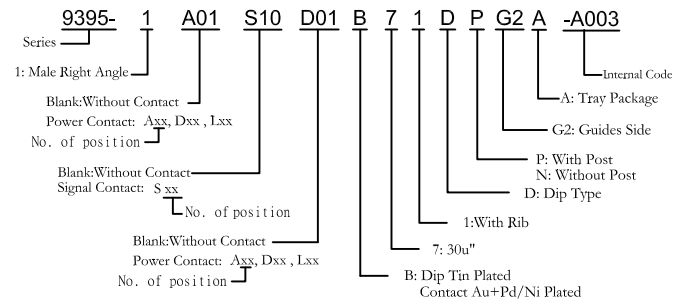
L: Low Power---PCB Mount 3.0mm Pitch
 D: DC Power---PCB Mount 5.5mm Pitch
 A: AC Power---PCB Mount 7.5mm Pitch

Notes 2:

A1,A2: Signal Pin to The Top Distance is 2.92mm.
 Other Signal: Signal Pin to The Top Distance is 1.92mm.
 P2 Power Contact Length is 10.0mm.
 P1 Power Contact Length is 8.0mm.



P.C.Board Layout
(Tolerance:±0.05)



Tolerances	Dwg. No.	9395-D0000-008
x = ±0.5	Projection	
.x = ±0.25	Unit	mm
.xx = ±0.15	Scale	1:1
	Drawn By	LQ 07/20'16

Title: 9395 Series
 Max P60
 10mm Low Profile, 60Amp
 Plug, Right Angle,FMLB

OUPIN			
OUPIN ELECTRONIC(KUNSHAN) CO., LTD.			
P/N: 9395-1A01S10D01B71DPG2A-A003			
SHEET	1/1	Ver. No.	X5