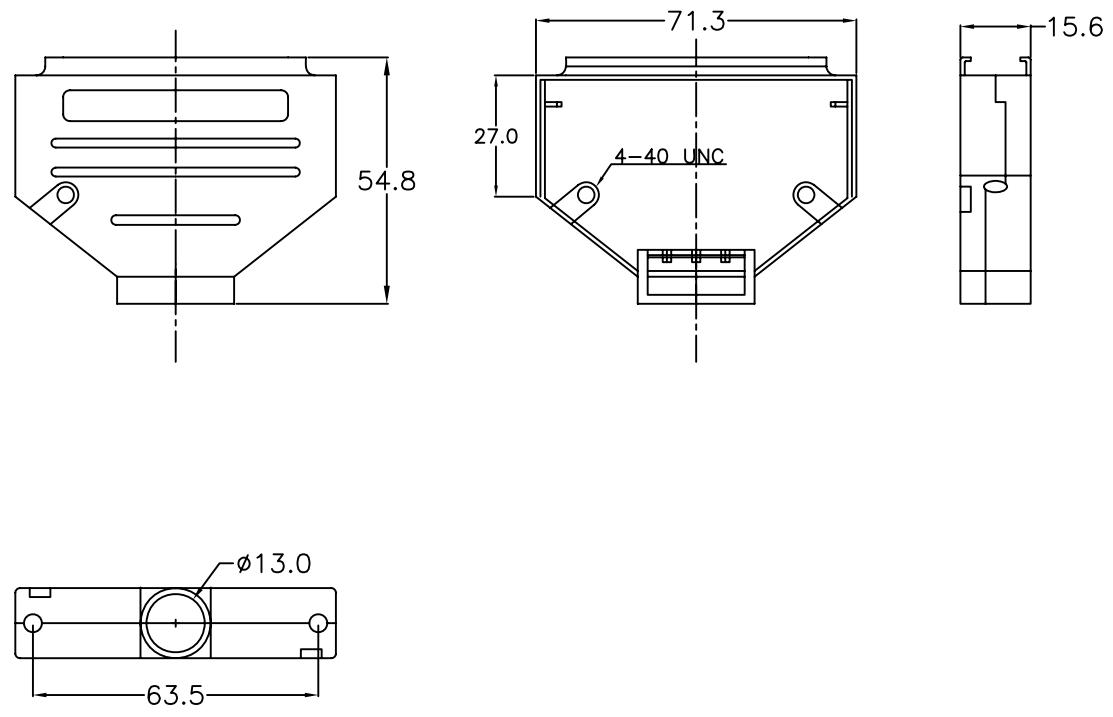


REV.	SPECIFICATION	ECN NO.	APPD.

Material:
 Housing: Zinc Alloy;Chranate Plate.
 Thumb Screw: Steel.
 Lock Screw: Steel.
 Insulator: TPR.
***Rohs Compliant**



Accessory	Q'ty
	2
	2
	1

Tolerances x = ±0.5 .x = ±0.3 .xx = ±0.2	Drawn No. DP00D00018	Title: D-SUB 37PIN METAL COVER WITH LONG SCREW		OUPIIN ELECTRONIC(KUNSHAN) CO., LTD. P/N: DP6-37MV13P			
	Projection	Scale 1:1	SHEET 1/1 Ver.No. A2				
	Unit mm	Drawn By Lupa 12/10'10	⑦41				