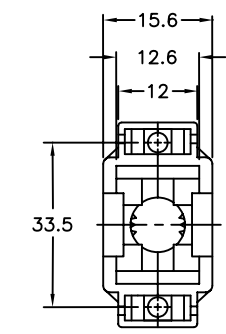
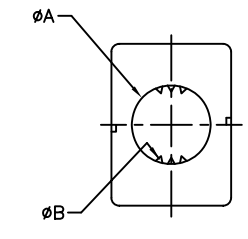
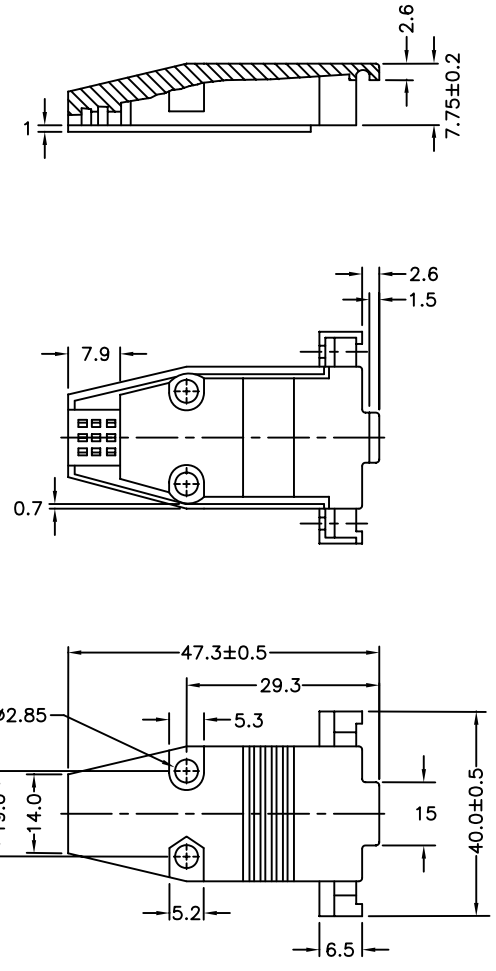
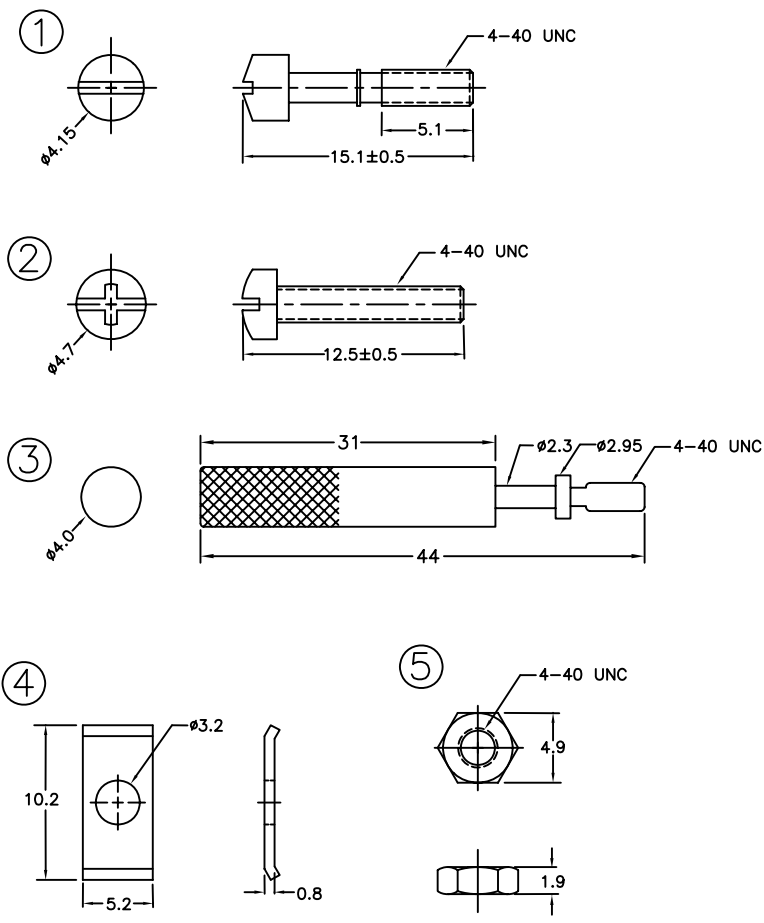


REV.	SPECIFICATION	ECN NO.	APPD.

RoHS Compliant



DP - 15 MV (L) x P  
 Series Position Metal Cover L:Thumb Screw x: Choice Of Code P: Individual Package B: Bulk Package

Code	7	8	9	11
A	7.0	7.7	8.7	10.7
B	5.7	5.8	6.7	9.9

Part-No.	Accessory
DP-15MVXP	① ② ④ ⑤
DP-15MVLXP	② ③ ⑤

Tolerances	Dwg. No.	DP00D00017	Title:	DP COVER Metal Hood
x = ±0.5	Projection		Scale	1:1
.x = ±0.35	Unit	mm	Drawn By	Peggy 11/02'11
.xx = ±0.15				

**OUPIN**  
 OUPIN ELECTRONIC(KUNSHAN) CO., LTD.  
 P/N: DP-15MV(L)xP  
 SHEET 1/1 Ver.No. A4