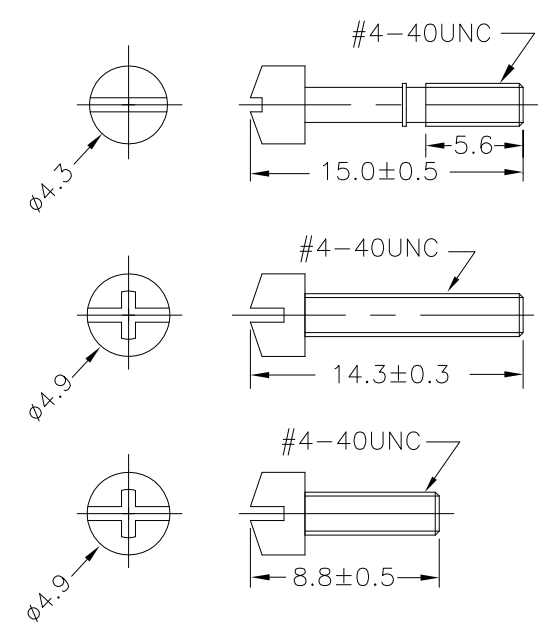
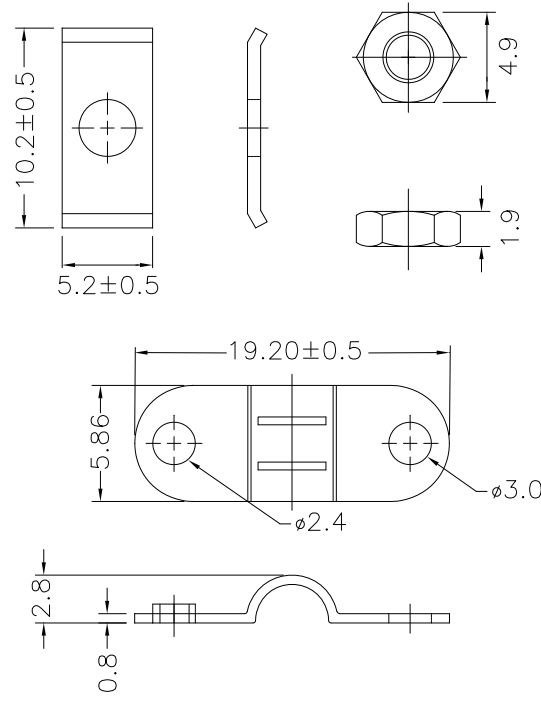
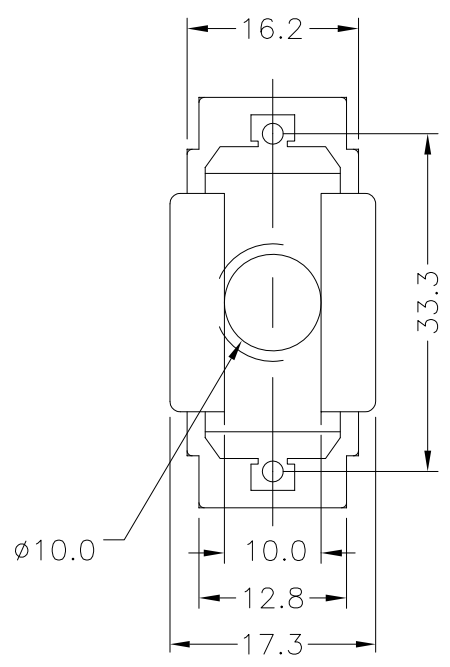
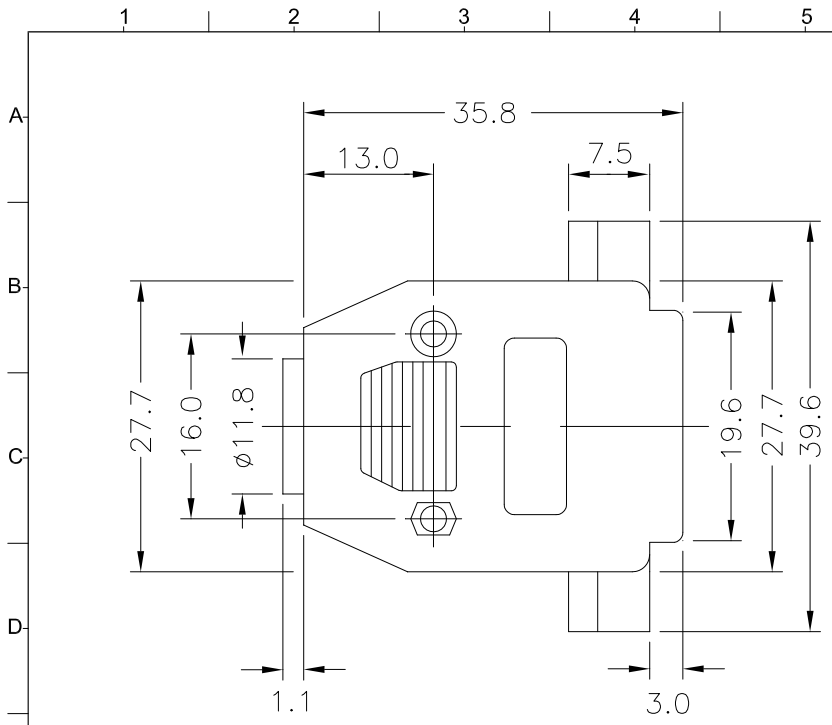


REV.	SPECIFICATION	ECN NO.	APPD.



Material:
 Housing: Thermoplastic Polyester Glass Filled UL94HB.
 Screw: Metal.
***RoHS Compliant**

DP-15Y
 Series Position Y:Grey
 B:Black
 C:Chrome
 (plastic metallized)

B
 B: Bulk Package
 P: Individual Package

Tolerances	Dwg. No.	DP00D00002	Title:		OUPIN OUPIIN ELECTRONIC(KUNSHAN) CO., LTD. P/N: DP-15YB
x = ±0.80	Projection		DP COVER		
.x = ±0.50	Unit	mm	Scale	1:1	
.xx = ±0.35	Drawn By	Vic Lyu11/06'15	Plastic Hood		
			0741	SHEET	1/1
				Ver.No.	B4