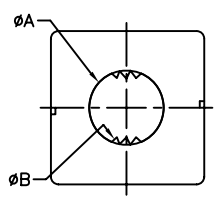
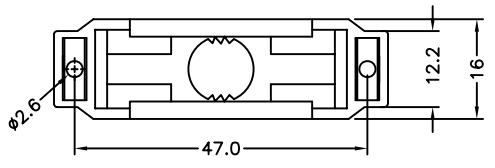
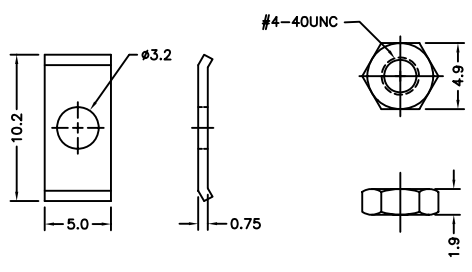
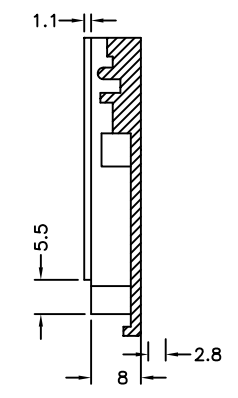
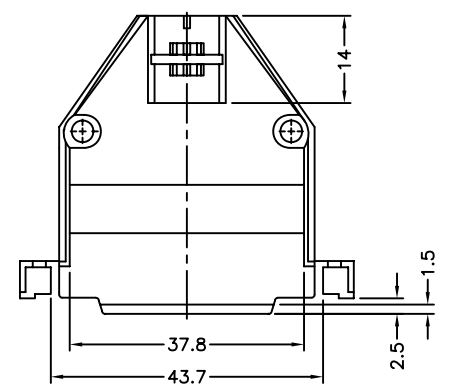
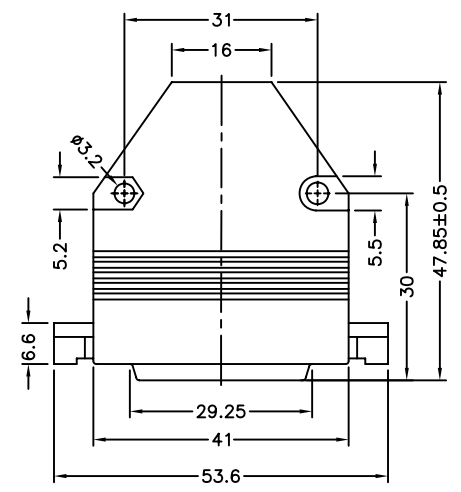
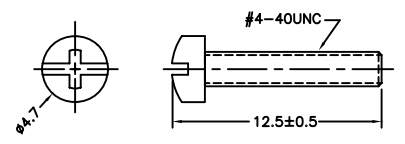
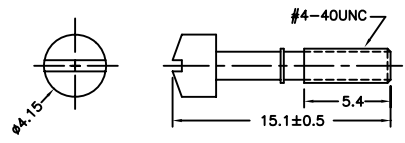


REV.	SPECIFICATION	ECN NO.	APPD.

RoHS Compliant



DP - 25 MV x P
 Series Position Metal Cover x: Choice Of Code P: Individual Package
 B: Bulk Package

Code	7	8	9	10	11	12
A	7.0	7.7	8.7	10.0	10.7	12.0
B	5.4	5.8	6.7	8.2	9.9	10.3

Tolerances	Drawn No.	DP00D00011	Title:	DP COVER Metal Hood
x = ±0.5	Projection		 OUPIIN ELECTRONIC(KUNSHAN) CO., LTD. P/N: DP-25MVxP	
.x = ±0.35	Unit	mm		
.xx = ±0.15	Scale	1:1		
	Drawn By	Sunny01/11/'11	0787	SHEET