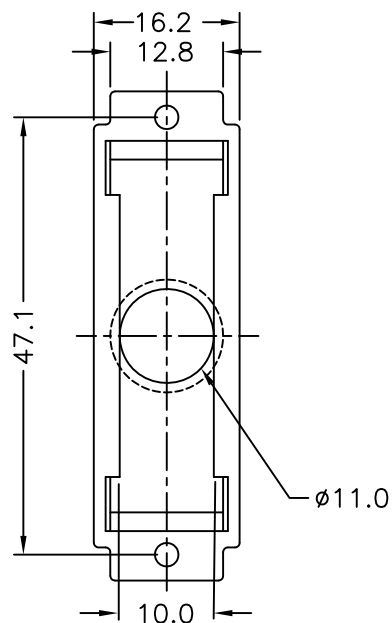
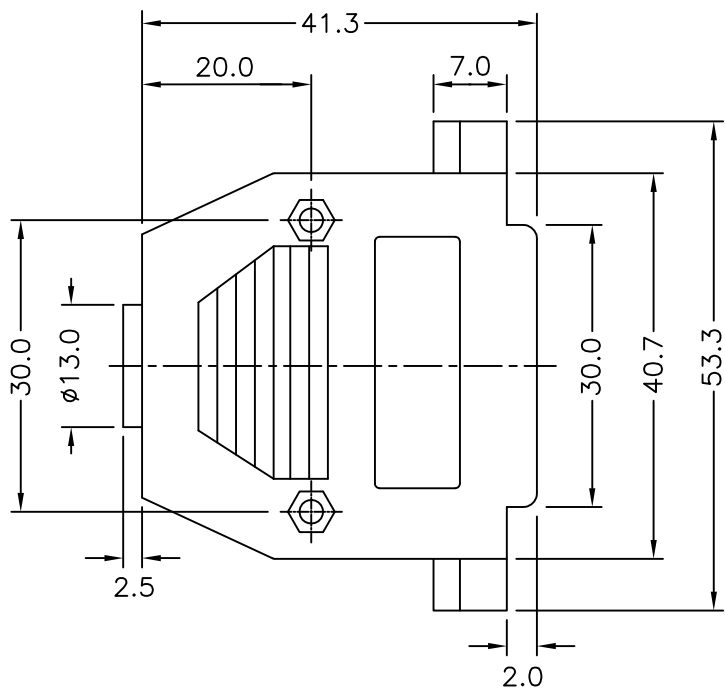


REV.	SPECIFICATION	ECN NO.	APPD.

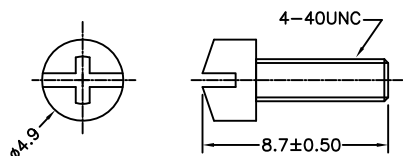
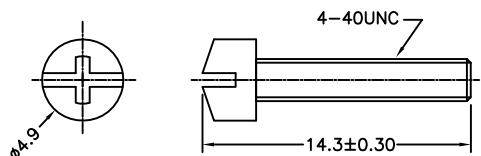
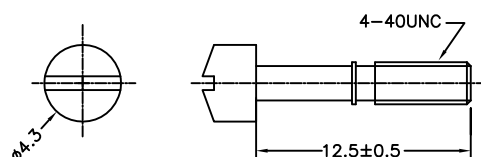
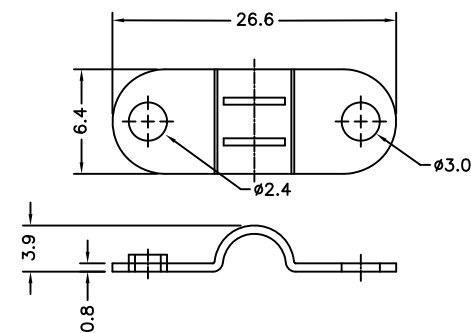
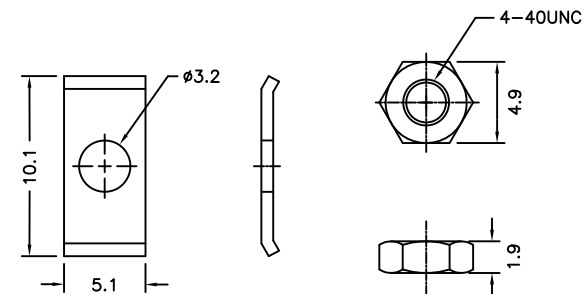


Material:

Housing: Thermoplastic Polyester UL94HB.

Screw: Metal

***RoHS Compliant**



DP- 25 Y
 Series Position Y:Grey
 B:Black

B
 B: Bulk Package
 P: Individual Package

Tolerances	Dwg. No.	DP00D00003		Title:
x = ±0.8	Projection			DP COVER Plastic Hood
.x = ±0.5	Unit mm	Scale	1:1	
.xx = ±0.35	Drawn By	WP 04/20'15		

⑦41

OUPIIN			
OUPIIN ELECTRONIC(KUNSHAN) CO., LTD.			
P/N: DP-25YB			
SHEET	1/1	Ver.No.	C1