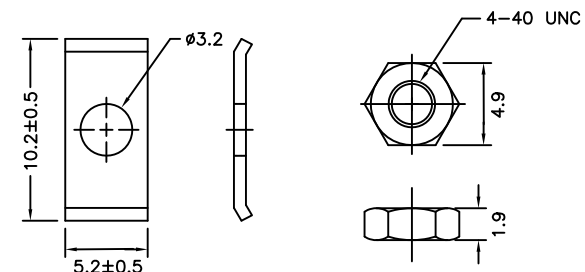
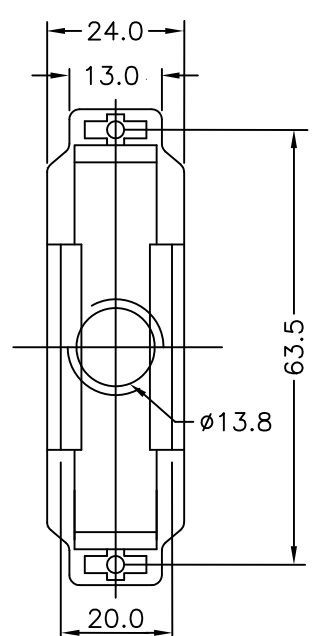
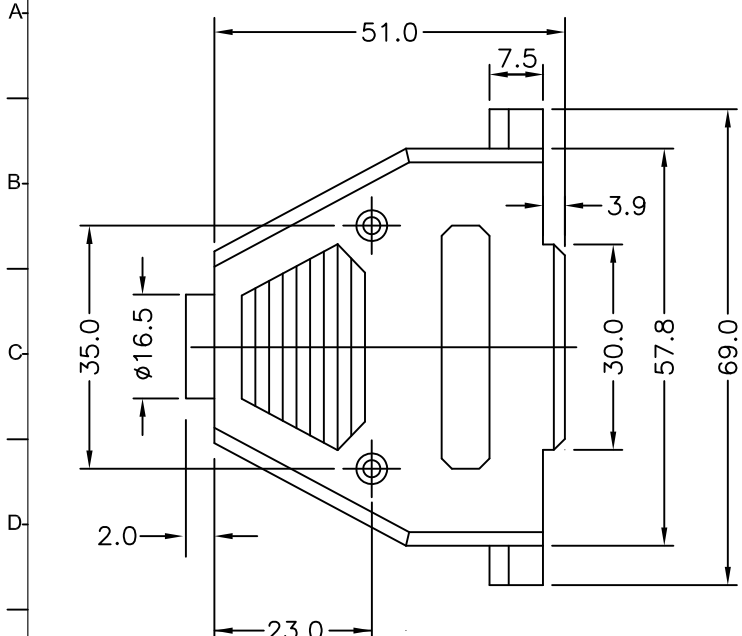
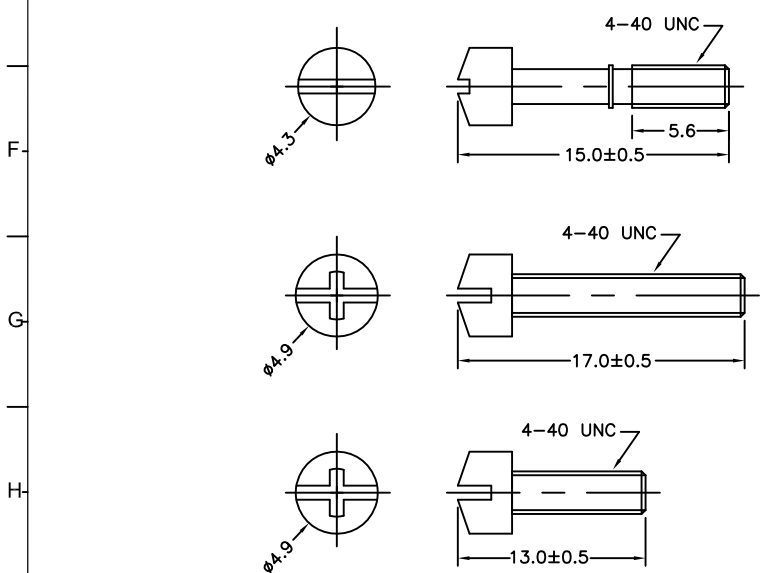


REV.	SPECIFICATION	ECN NO.	APPD.

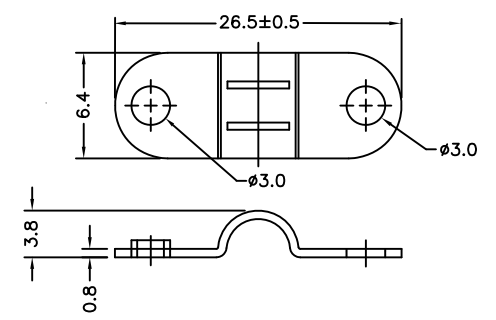


Material:
 Housing: Thermoplastic Polyester Glass Filled UL94HB.
 Screw: Metal.
***RoHS Compliant**



DP- 37 Y
 Series Position Y:Grey
 B:Black
 C:Chrome
 (plastic metallized)

B
 B: Bulk Package
 P: Individual Package



Tolerances	Dwg. No.	DP00D00004		Title:			
x = ±0.80	Projection	⊕		DP Series			
.x = ±0.50	Unit	mm	Scale	Plastic Hood			
.xx = ±0.35	Drawn By	Vic Lyu11/09'15		① 741			
				OUPIN			
				OUPIN ELECTRONIC(KUNSHAN) CO., LTD.			
				P/N: DP-37YB			
SHEET		1/1	Ver.No.	B3			