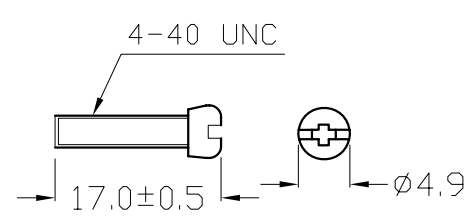
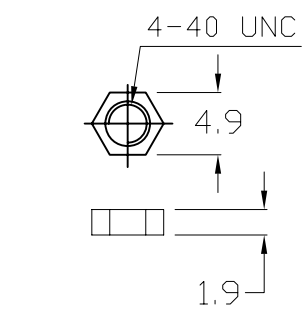
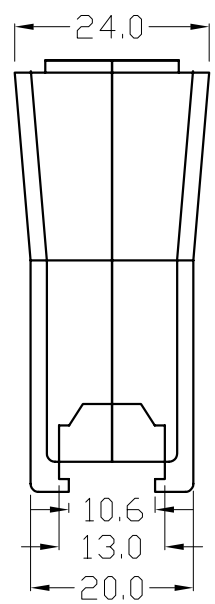
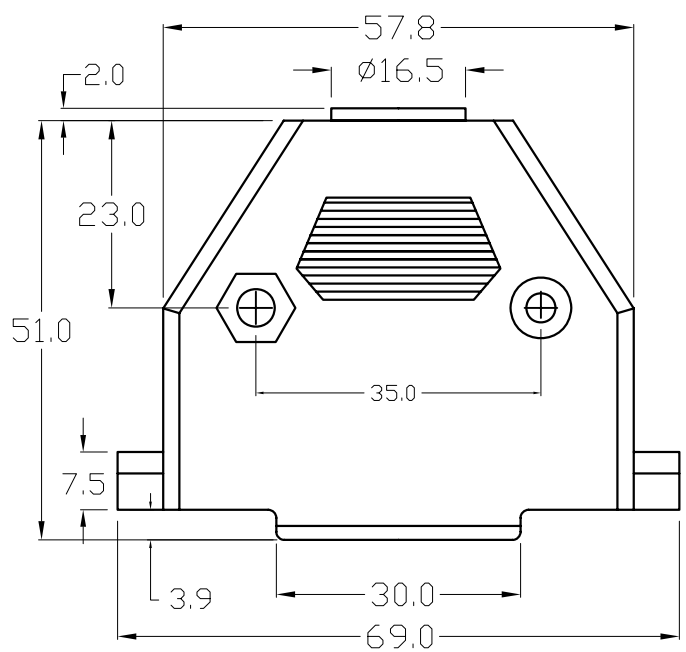
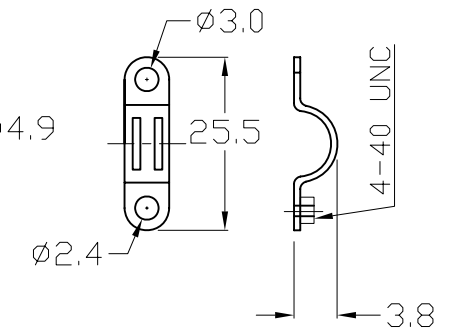
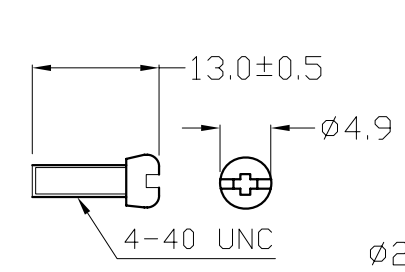
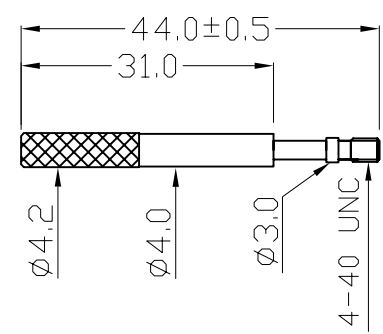
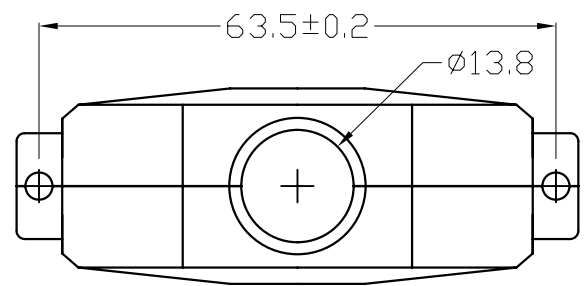


|      |               |         |       |
|------|---------------|---------|-------|
| REV. | SPECIFICATION | ECN NO. | APPD. |
|      |               |         |       |



**Materials**  
Housing: ABS UL94HB  
Screw: Metal.  
**\*RoHS Compliant**

**DP- 37**      **Y**  
Series    Position    Y: Grey  
   B: Black  
   C: Chrome  
   (plastic metallized)

**SL**                  **B**  
SL: Long Screw    B: Bulk Package  
   P: Individual  
   Package

|                   |                   |               |                       |  |
|-------------------|-------------------|---------------|-----------------------|--|
| <b>Tolerances</b> | <b>Drawn No.</b>  | DP00D00015    | <b>Title:</b>         | <br><b>OUPIIN ELECTRONIC(KUNSHAN) CO., LTD.</b><br>P/N: DP-37YSLB<br>SHEET 1/1    Ver.No.    A3 |
| x = ±0.8          | <b>Projection</b> | ⊕    ↯        | DP Cover Plastic Hood |  |
| .x = ±0.5         | <b>Unit</b> mm    | Scale 1:1     |                       |  |
| .xx = ±0.35       | <b>Drawn By</b>   | Peggy06/07'11 | 0741                  |  |