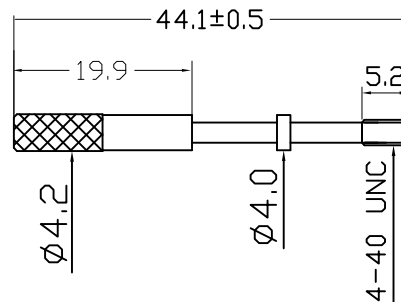
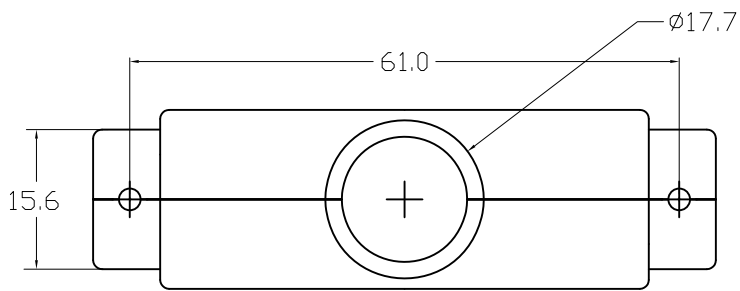
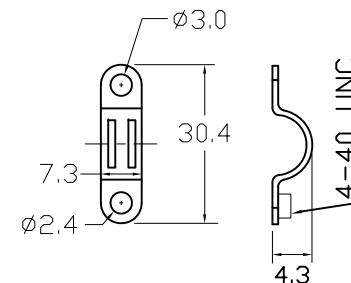
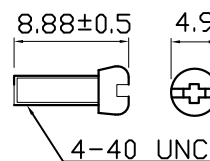
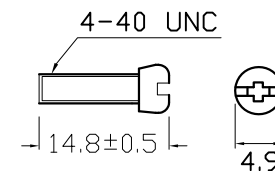
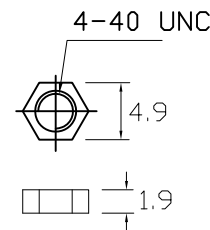
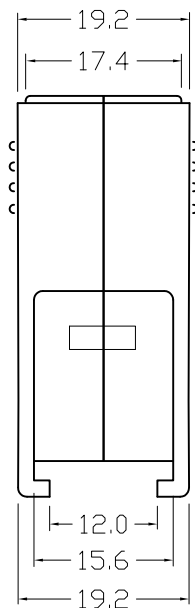
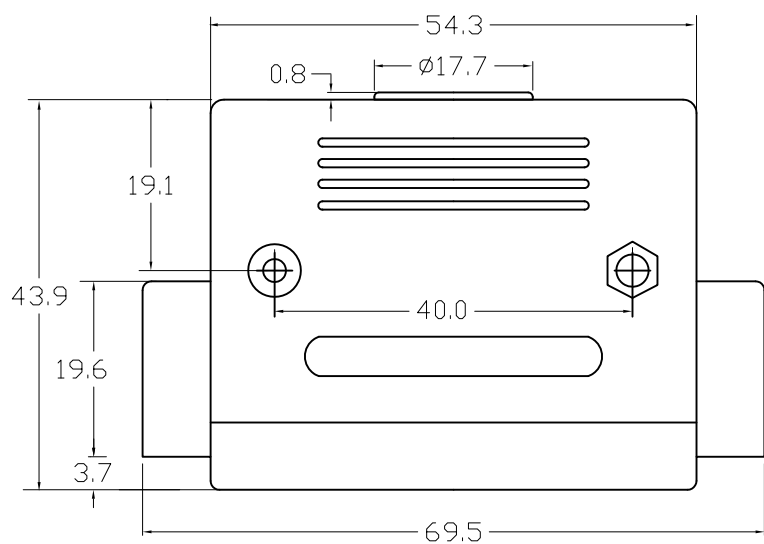


REV.	SPECIFICATION	ECN NO.	APPD.



Material:
 Housing: Thermoplastic Polyester Glass Filled UL94HB.
 Screw: Metal.
***RoHS Compliant**



DP- 50 Y
 Series Position Y:Grey
 B:Black
 C:Chrome
 (plastic metallized)

SL B
 SL:Long Screw B:Bulk Package
 P:Individual Package

Tolerances	Dwg. No.	DP00D00007	Title:		OUPIN OUPIN ELECTRONIC(KUNSHAN) CO., LTD.
x = ±0.80	Projection		DP Series		
.x = ±0.50	Unit	mm	Plastic Hood		
.xx = ±0.35	Scale	1:1	P/N: DP-50YSLB		
	Drawn By	Vic Lyu11/09'15	SHEET	1/1	Ver.No.
					A5