

<https://www.phoenixcontact.com/cn/products/0706605>



Panel feed-through terminal block - DFK 5-9,5 - 0706605

Please be informed that the data shown in this PDF Document is generated from our Online Catalog. Please find the complete data in the user's documentation. Our General Terms of Use for Downloads are valid (<http://phoenixcontact.com/download>)




Panel feed-through terminal block, Connection method: Screw connection, Solder/Slip-on connection, Load current : 18 A, Cross section: 0.2 mm² - 6 mm², AWG 24 - 10, Connection direction of the conductor to plug-in direction: 0 °, Width: 9.5 mm, Color: gray

Why buy this product

- Easy fixing using plastic knurled nut
- Touch-proof insulating housing
- Nominal voltage up to 690 V
- Universal screw connection with screw locking

RoHS

Key Commercial Data

Packing unit	50 STK
Minimum order quantity	50 STK
GTIN	 4 017918 003777
GTIN	4017918003777
Custom tariff number	8536909000
Sales Key	AABBDA

Technical data

General

Number of levels	1
Number of connections	2
Nominal cross section	1.5 mm ²
Color	gray
Insulating material	PA
Flammability rating according to UL 94	V2
Maximum load current	17.5 A
Rated surge voltage	8 kV
Degree of pollution	3

<https://www.phoenixcontact.com/cn/products/0706605>

Panel feed-through terminal block - DFK 5-9,5 - 0706605

Technical data

General

Overvoltage category	III
Insulating material group	I
Connection in acc. with standard	IEC 60947-7-1
Nominal current I_N	17.5 A
Maximum load current	17.5 A
Nominal voltage U_N	690 V
Open side panel	No
Number of positions	0

Dimensions

Width	9.5 mm
Length	38.6 mm
Plate thickness	0.5 mm ... 3.5 mm

Connection data

Connection side	Level 1 ext. 1
Connection method	Screw connection
Conductor cross section solid min.	0.2 mm ²
Conductor cross section solid max.	6 mm ²
Conductor cross section flexible min.	0.2 mm ²
Conductor cross section flexible max.	4 mm ²
Conductor cross section AWG min.	24
Conductor cross section AWG max.	10
Conductor cross section flexible, with ferrule without plastic sleeve min.	0.25 mm ²
Conductor cross section flexible, with ferrule without plastic sleeve max.	4 mm ²
Conductor cross section flexible, with ferrule with plastic sleeve min.	0.25 mm ²
Conductor cross section flexible, with ferrule with plastic sleeve max.	4 mm ²
2 conductors with same cross section, solid min.	0.2 mm ²
2 conductors with same cross section, solid max.	1.5 mm ²
2 conductors with same cross section, stranded min.	0.2 mm ²
2 conductors with same cross section, stranded max.	2.5 mm ²
2 conductors with same cross section, stranded, ferrules without plastic sleeve, min.	0.25 mm ²
2 conductors with same cross section, stranded, ferrules without plastic sleeve, max.	1.5 mm ²
2 conductors with same cross section, stranded, TWIN ferrules with plastic sleeve, min.	0.5 mm ²
2 conductors with same cross section, stranded, TWIN ferrules with plastic sleeve, max.	2.5 mm ²
Stripping length	14 mm
Internal cylindrical gage	A4
Screw thread	M3
Tightening torque, min	0.6 Nm

Panel feed-through terminal block - DFK 5-9,5 - 0706605

Technical data

Connection data

Tightening torque max	0.8 Nm
Connection side	Level 1 int. 1
Connection method	Solder/Slip-on connection
Conductor cross section solid min.	0.2 mm ²
Conductor cross section solid max.	1.5 mm ²
Conductor cross section flexible min.	0.2 mm ²
Conductor cross section flexible max.	1.5 mm ²
Conductor cross section AWG min.	24
Conductor cross section AWG max.	16
Internal cylindrical gage	A4
Slip-on connection	2.8 x 0.8 mm

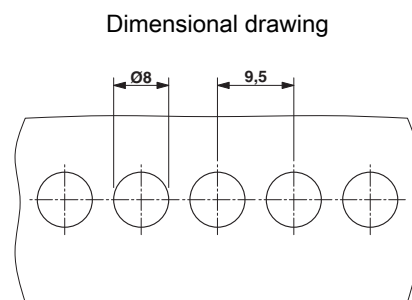
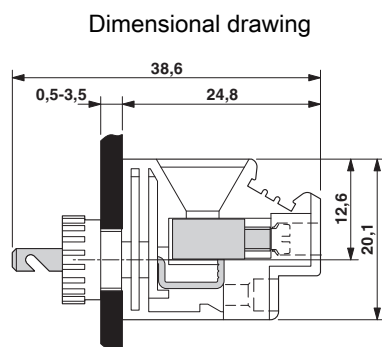
Standards and Regulations

Connection in acc. with standard	CSA
	IEC 60947-7-1
	IEC 60947-7-1
Flammability rating according to UL 94	V2

Environmental Product Compliance

China RoHS	Environmentally Friendly Use Period = 50
	For details about hazardous substances go to tab "Downloads", Category "Manufacturer's declaration"

Drawings



Approvals

Approvals

Approvals

CSA / EAC

<https://www.phoenixcontact.com/cn/products/0706605>




Panel feed-through terminal block - DFK 5-9,5 - 0706605

Approvals

Ex Approvals

Approval details

CSA		http://www.csagroup.org/services/testing-and-certification/certified-product-listing/	13631
	B	C	D
mm ² /AWG/kcmil	22-10	22-10	22-10
Nominal current I _N	30 A	30 A	5 A
Nominal voltage U _N	300 V	300 V	600 V

EAC			B.01742
-----	---	--	---------

Phoenix Contact 2017 © - all rights reserved
<http://www.phoenixcontact.com>