

https://www.phoenixcontact.com/cn/products/0709039



Panel feed-through terminal block - HDFKV 25 - 0709039


Please be informed that the data shown in this PDF Document is generated from our Online Catalog. Please find the complete data in the user's documentation. Our General Terms of Use for Downloads are valid (<http://phoenixcontact.com/download>)



Panel feed-through terminal block, Connection method: Screw connection, Load current : 125 A, Cross section: 6 mm² - 35 mm², AWG 10 - 2, Connection direction of the conductor to plug-in direction: 90 °, Width: 15.1 mm, Color: gray



Key Commercial Data

Packing unit	25 STK
GTIN	 4 017918 004897
GTIN	4017918004897
Custom tariff number	8536901900
Sales Key	AABFDA

Technical data

General

Number of levels	1
Number of connections	2
Nominal cross section	25 mm ²
Color	gray
Insulating material	PA
Flammability rating according to UL 94	V0
Maximum load current	125 A
Rated surge voltage	6 kV
Degree of pollution	3
Overvoltage category	III
Insulating material group	I
Connection in acc. with standard	IEC 60947-7-1
Nominal current I _N	101 A
Maximum load current	125 A
Nominal voltage U _N	500 V

<https://www.phoenixcontact.com/cn/products/0709039>

Panel feed-through terminal block - HDFKV 25 - 0709039

Technical data

General

Open side panel	No
Number of positions	1

Dimensions

Width	15.1 mm
Plate thickness	1 mm ... 6 mm

Connection data

Note	Terminal sleeve
Connection side	Level 1 ext. 1
Connection method	Screw connection
Note	Note: Product releases, connection cross sections and notes on connecting aluminum cables can be found in the download area.
Conductor cross section solid min.	6 mm ²
Conductor cross section solid max.	35 mm ²
Conductor cross section flexible min.	10 mm ²
Conductor cross section flexible max.	25 mm ²
Conductor cross section AWG min.	10
Conductor cross section AWG max.	2
Conductor cross section flexible, with ferrule without plastic sleeve min.	4 mm ²
Conductor cross section flexible, with ferrule without plastic sleeve max.	25 mm ²
Conductor cross section flexible, with ferrule with plastic sleeve min.	4 mm ²
Conductor cross section flexible, with ferrule with plastic sleeve max.	25 mm ²
2 conductors with same cross section, solid min.	2.5 mm ²
2 conductors with same cross section, solid max.	10 mm ²
2 conductors with same cross section, stranded min.	4 mm ²
2 conductors with same cross section, stranded max.	10 mm ²
2 conductors with same cross section, stranded, ferrules without plastic sleeve, min.	2.5 mm ²
2 conductors with same cross section, stranded, ferrules without plastic sleeve, max.	10 mm ²
2 conductors with same cross section, stranded, TWIN ferrules with plastic sleeve, min.	2.5 mm ²
2 conductors with same cross section, stranded, TWIN ferrules with plastic sleeve, max.	10 mm ²
Stripping length	19 mm
Internal cylindrical gage	B8
Screw thread	M5
Tightening torque, min	4 Nm
Tightening torque max	4.5 Nm

Standards and Regulations

Connection in acc. with standard	CSA
	IEC 60947-7-1

<https://www.phoenixcontact.com/cn/products/0709039>



Panel feed-through terminal block - HDFKV 25 - 0709039

Technical data

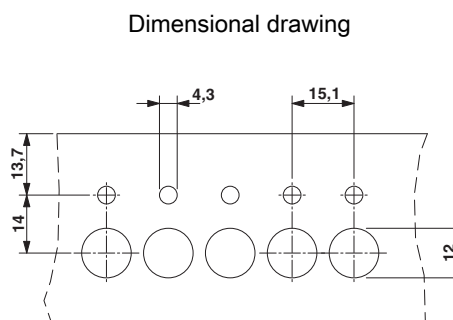
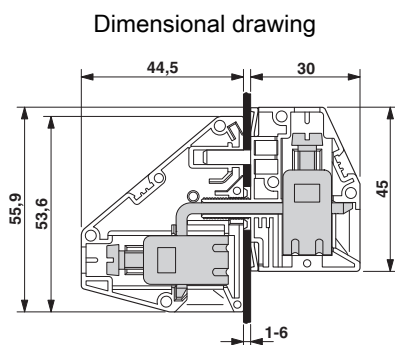
Standards and Regulations

Flammability rating according to UL 94	V0
--	----

Environmental Product Compliance

China RoHS	Environmentally friendly use period: unlimited = EFUP-e
	No hazardous substances above threshold values

Drawings



Approvals

Approvals

Approvals

UL Recognized / KEMA-KEUR / PRS / CCA / IECCE CB Scheme / CSA / EAC

Ex Approvals

Approval details

UL Recognized		http://database.ul.com/cgi-bin/XYV/template/LISEXT/1FRAME/index.htm	E60425-19890329
	B	C	
mm ² /AWG/kcmil	8-2	8-2	
Nominal current I _N	115 A	115 A	
Nominal voltage U _N	600 V	600 V	


KEMA-KEUR		http://www.dekra-certification.com	2169260.02
-----------	--	---	------------

<https://www.phoenixcontact.com/cn/products/0709039>




Panel feed-through terminal block - HDFKV 25 - 0709039

Approvals

PRS		http://www.prs.pl/	TE/1825/880590/09
-----	---	---	-------------------

CCA			6115
-----	--	--	------

IECEE CB Scheme		http://www.iecee.org/	NL-29946
-----------------	---	---	----------

CSA		http://www.csagroup.org/services/testing-and-certification/certified-product-listing/	13631
	B	C	
mm ² /AWG/kcmil	8-4	8-4	
Nominal current I _N	100 A	100 A	
Nominal voltage U _N	600 V	600 V	

EAC			B.01742
-----	---	--	---------

Phoenix Contact 2017 © - all rights reserved
<http://www.phoenixcontact.com>