

<https://www.phoenixcontact.com/cn/products/1688793>



Contact insert - VS-09-ST-DSUB-EG - 1688793


Please be informed that the data shown in this PDF Document is generated from our Online Catalog. Please find the complete data in the user's documentation. Our General Terms of Use for Downloads are valid (<http://phoenixcontact.com/download>)

D-SUB contact insert, shell size 1, with nine signal contacts, type of contact pin, with solder cup, straight, fixing with a 3 mm hole, for panel mounting frame and sleeve housing VS-09-...



RoHS

Key Commercial Data

Packing unit	10 STK
Minimum order quantity	10 STK
GTIN	 4 017918 822927
GTIN	4017918822927
Custom tariff number	8536901900
Sales Key	ABNJBB

Technical data

Mechanical characteristics

Number of positions	9
Connection profile	D-SUB 9
Insertion/withdrawal cycles	≥ 50
Connection method	Solder cup
Conductor cross section	0.5 mm ²
Connection cross section AWG	20
Insertion force per signal contact	≤ 3.40 N
Mounting type	Hole
Design	09
Size of housing	1

Ambient conditions

Ambient temperature (operation)	-55 °C ... 125 °C
---------------------------------	-------------------

Material data

Flammability rating according to UL 94	V0
--	----

03/13/2017 Page 1 / 3

<https://www.phoenixcontact.com/cn/products/1688793>



Contact insert - VS-09-ST-DSUB-EG - 1688793

Technical data

Material data

Housing material	Steel
Housing surface material	tin-plated
Contact carrier material	Polyester GF
Contact material	Copper alloy
Contact surface material	Hard gold-plated over nickel

Electrical characteristics

Number of positions	9
Rated current	5 A
Overvoltage category	III
Degree of pollution	2
Rated voltage (III/3)	125 V

Standards and Regulations

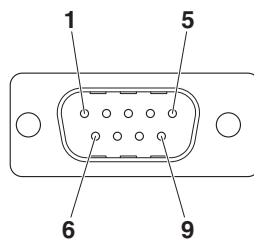
Flammability rating according to UL 94	V0
--	----

Environmental Product Compliance

China RoHS	Environmentally Friendly Use Period = 50
	For details about hazardous substances go to tab "Downloads", Category "Manufacturer's declaration"

Drawings

Schematic diagram

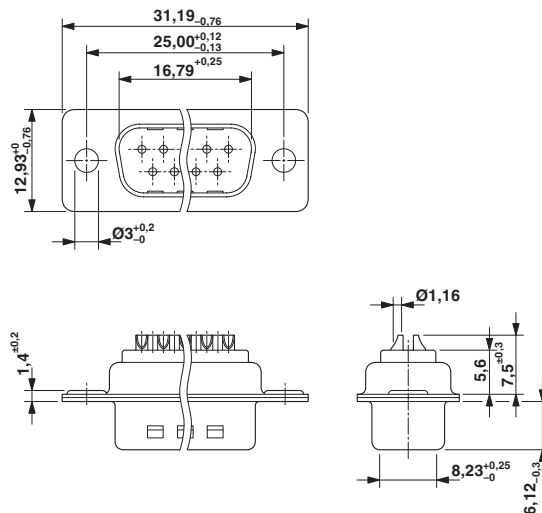


https://www.phoenixcontact.com/cn/products/1688793



Contact insert - VS-09-ST-DSUB-EG - 1688793

Dimensional drawing



D-SUB contact insert

Approvals

Approvals

Approvals

UL Recognized / EAC

Ex Approvals

Approval details

UL Recognized		http://database.ul.com/cgi-bin/XYV/template/LISEXT/1FRAME/index.htm	FILE E 118976
---------------	---	---	---------------

EAC			B.01742
-----	---	--	---------

Phoenix Contact 2017 © - all rights reserved
http://www.phoenixcontact.com