

<https://www.phoenixcontact.com/cn/products/1688816>



D-SUB contact insert - VS-09-ST-DSUB-FK - 1688816


Please be informed that the data shown in this PDF Document is generated from our Online Catalog. Please find the complete data in the user's documentation. Our General Terms of Use for Downloads are valid (<http://phoenixcontact.com/download>)



D-SUB contact insert, shell size 1, with nine signal contacts, type of contact pin, flat-ribbon cable connection, angled, fixing with a 3 mm hole, for panel mounting frame VS-09-...



Key Commercial Data

Packing unit	10 STK
Minimum order quantity	10 STK
GTIN	 4 017918 822941
GTIN	4017918822941
Custom tariff number	8536909000
Sales Key	ABNJBB

Technical data

Mechanical characteristics

Number of positions	9
Connection profile	D-SUB 9
Insertion/withdrawal cycles	≥ 50
Connection method	Flat-ribbon cable connection
Mounting type	Hole
Design	09
Size of housing	1

Ambient conditions

Ambient temperature (operation)	-55 °C ... 105 °C
---------------------------------	-------------------

Material data

Flammability rating according to UL 94	V0
Housing material	Sheet steel
Contact carrier material	Polyester GF
Contact material	Copper alloy

03/13/2017 Page 1 / 3

<https://www.phoenixcontact.com/cn/products/1688816>



D-SUB contact insert - VS-09-ST-DSUB-FK - 1688816

Technical data

Material data

Contact surface material	Hard gold-plated over nickel
--------------------------	------------------------------

Electrical characteristics

Number of positions	9
Rated current	1 A
Overvoltage category	III
Degree of pollution	2
Rated voltage (III/3)	125 V

Standards and Regulations

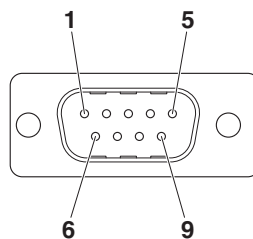
Flammability rating according to UL 94	V0
--	----

Environmental Product Compliance

China RoHS	Environmentally Friendly Use Period = 50
	For details about hazardous substances go to tab "Downloads", Category "Manufacturer's declaration"

Drawings

Schematic diagram

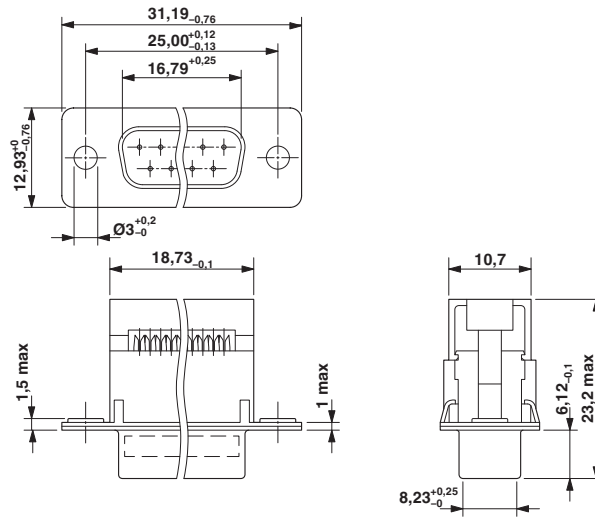


https://www.phoenixcontact.com/cn/products/1688816



D-SUB contact insert - VS-09-ST-DSUB-FK - 1688816

Dimensional drawing



D-SUB contact insert

Approvals

Approvals

Approvals

EAC

Ex Approvals

Approval details

EAC		B.01742
-----	--	---------

Phoenix Contact 2017 © - all rights reserved
http://www.phoenixcontact.com