

https://www.phoenixcontact.com/cn/products/1688858



D-SUB contact support - VS-09-ST-DSUB-CD-B - 1688858


Please be informed that the data shown in this PDF Document is generated from our Online Catalog. Please find the complete data in the user's documentation. Our General Terms of Use for Downloads are valid (<http://phoenixcontact.com/download>)

D-SUB contact carrier, shell size 1, for nine signal contacts, type of contact pin, for crimp contacts, straight, fixing with 3 mm hole, for panel mounting frame and sleeve housing VS-09-...



RoHS

Key Commercial Data

Packing unit	10 STK
Minimum order quantity	10 STK
GTIN	 4 017918 822989
GTIN	4017918822989
Custom tariff number	8536909000
Sales Key	ABNJBB

Technical data

Mechanical characteristics

Number of positions	9
Connection profile	D-SUB 9
Insertion/withdrawal cycles	≥ 500
Connection method	Crimp connection
Mounting type	Hole
Design	09
Size of housing	1

Ambient conditions

Ambient temperature (operation)	-55 °C ... 125 °C
---------------------------------	-------------------

Material data

Flammability rating according to UL 94	V0
Housing material	Steel, tin-plated
Contact carrier material	Polyester GF

D-SUB contact support - VS-09-ST-DSUB-CD-B - 1688858

Technical data

Electrical characteristics

Number of positions	9
Rated current	5 A
Overvoltage category	III
Degree of pollution	2
Rated voltage (III/3)	125 V

Standards and Regulations

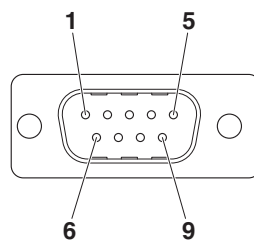
Flammability rating according to UL 94	V0
--	----

Environmental Product Compliance

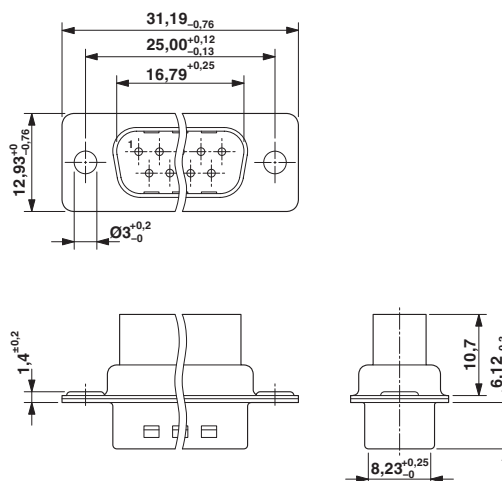
China RoHS	Environmentally friendly use period: unlimited = EFUP-e
	No hazardous substances above threshold values

Drawings

Schematic diagram



Dimensional drawing



D-SUB contact carrier

<https://www.phoenixcontact.com/cn/products/1688858>



D-SUB contact support - VS-09-ST-DSUB-CD-B - 1688858

Approvals

Approvals


Approvals

UL Recognized / EAC

Ex Approvals

Approval details

UL Recognized		http://database.ul.com/cgi-bin/XYV/template/LISEXT/1FRAME/index.htm	FILE E 118976
---------------	---	---	---------------

EAC			B.01742
-----	--	--	---------

Phoenix Contact 2017 © - all rights reserved
<http://www.phoenixcontact.com>