

<https://www.phoenixcontact.com/cn/products/1688926>



## D-SUB contact support - VS-15-BU-DSUB-CD-MG - 1688926


Please be informed that the data shown in this PDF Document is generated from our Online Catalog. Please find the complete data in the user's documentation. Our General Terms of Use for Downloads are valid (<http://phoenixcontact.com/download>)



D-SUB contact carrier, shell size 2, for 15 signal contacts, type of contact socket, for crimp contacts, straight, fixing with M3 thread, for panel mounting frame VS-15-...

RoHS

### Key Commercial Data

Packing unit	10 STK
Minimum order quantity	10 STK
GTIN	 4 017918 823078
GTIN	4017918823078
Custom tariff number	8536909000
Sales Key	ABNJCB

### Technical data

#### Mechanical characteristics

Number of positions	15
Connection profile	D-SUB 15
Insertion/withdrawal cycles	≥ 500
Connection method	Crimp connection
Mounting type	Threads
Design	15
Size of housing	2

#### Ambient conditions

Ambient temperature (operation)	-55 °C ... 125 °C
---------------------------------	-------------------

#### Material data

Flammability rating according to UL 94	V0
Housing material	Steel, tin-plated
Contact carrier material	Polyester GF

# D-SUB contact support - VS-15-BU-DSUB-CD-MG - 1688926

## Technical data

### Electrical characteristics

Number of positions	15
Rated current	5 A
Overvoltage category	III
Degree of pollution	2
Rated voltage (III/3)	125 V

### Standards and Regulations

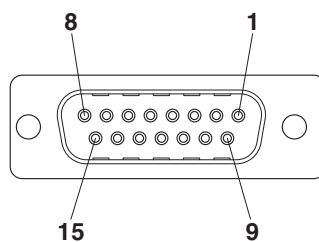
Flammability rating according to UL 94	V0
--	----

### Environmental Product Compliance

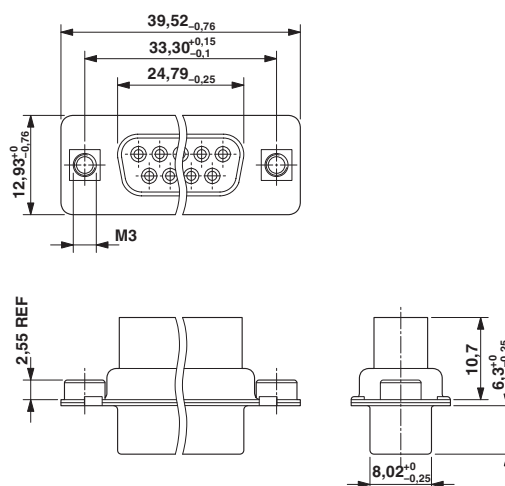
China RoHS	Environmentally Friendly Use Period = 50
	For details about hazardous substances go to tab "Downloads", Category "Manufacturer's declaration"

## Drawings

Schematic diagram



Dimensional drawing



### D-SUB contact carrier

<https://www.phoenixcontact.com/cn/products/1688926>



## D-SUB contact support - VS-15-BU-DSUB-CD-MG - 1688926

### Approvals

#### Approvals

---

#### Approvals

UL Recognized / EAC


---

Ex Approvals

---

#### Approval details

UL Recognized		<a href="http://database.ul.com/cgi-bin/XYV/template/LISEXT/1FRAME/index.htm">http://database.ul.com/cgi-bin/XYV/template/LISEXT/1FRAME/index.htm</a>	FILE E 118976
---------------	---	---	---------------

EAC			B.01742
-----	--	--	---------

---

Phoenix Contact 2017 © - all rights reserved  
<http://www.phoenixcontact.com>