

https://www.phoenixcontact.com/cn/products/1689019



D-SUB combination contact insert - VS-09-BU-DSUB-1P-4S - 1689019


Please be informed that the data shown in this PDF Document is generated from our Online Catalog. Please find the complete data in the user's documentation. Our General Terms of Use for Downloads are valid (<http://phoenixcontact.com/download>)

D-SUB contact insert, shell size 1, with four signal contacts with solder cup, straight, accommodation for one combined contact, type of contact socket, fixing with a 3 mm hole, for panel mounting frame and sleeve housing VS-09-...



RoHS

Key Commercial Data

Packing unit	10 STK
Minimum order quantity	10 STK
GTIN	 4 017918 823016
GTIN	4017918823016
Custom tariff number	8536909000
Sales Key	ABNJBB

Technical data

Mechanical characteristics

Number of positions	5
Connection profile	D-SUB 9
Insertion/withdrawal cycles	≥ 200
Connection method	Solder cup
Conductor cross section	0.5 mm ²
Connection cross section AWG	20
Insertion force per signal contact	≤ 3.40 N
Extraction force per signal contact	≥ 0.2 N
Mounting type	Hole
Insulation resistance	≥ 5 GΩ
Design	09
Size of housing	1

Ambient conditions

Ambient temperature (operation)	-55 °C ... 125 °C
---------------------------------	-------------------

https://www.phoenixcontact.com/cn/products/1689019



D-SUB combination contact insert - VS-09-BU-DSUB-1P-4S - 1689019

Technical data

Material data

Flammability rating according to UL 94	V0
Housing material	Steel, yellow chromated
Contact carrier material	PBTP
Contact material	Copper alloy
Contact surface material	Gold over nickel

Electrical characteristics

Number of positions	5
Rated current	5 A
Overvoltage category	III
Degree of pollution	2
Rated voltage (III/3)	250 V

Standards and Regulations

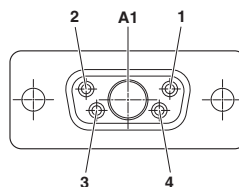
Flammability rating according to UL 94	V0
--	----

Environmental Product Compliance

China RoHS	Environmentally friendly use period: unlimited = EFUP-e
	No hazardous substances above threshold values

Drawings

Schematic diagram

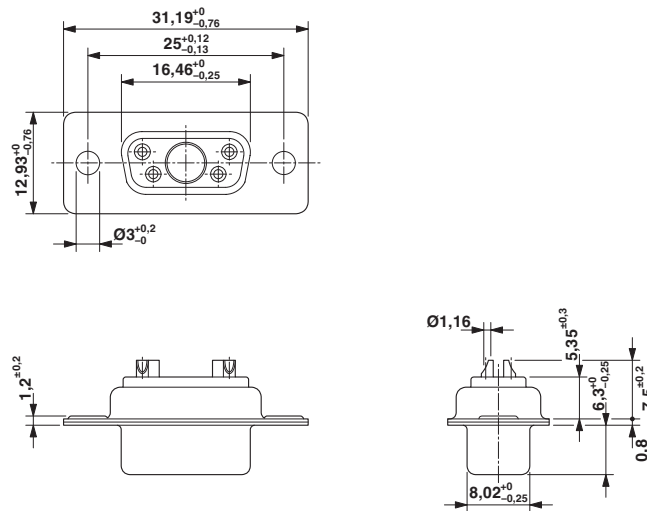


https://www.phoenixcontact.com/cn/products/1689019



D-SUB combination contact insert - VS-09-BU-DSUB-1P-4S - 1689019

Dimensional drawing



D-SUB contact insert

Approvals

Approvals

Approvals

UL Recognized / EAC

Ex Approvals

Approval details

UL Recognized		http://database.ul.com/cgi-bin/XYV/template/LISEXT/1FRAME/index.htm	FILE E 118976
---------------	--	---	---------------

EAC			B.01742
-----	--	--	---------

Phoenix Contact 2017 © - all rights reserved
http://www.phoenixcontact.com