

https://www.phoenixcontact.com/cn/products/1689653



D-SUB coupling - VS-15-KU-BU/BU - 1689653


Please be informed that the data shown in this PDF Document is generated from our Online Catalog. Please find the complete data in the user's documentation. Our General Terms of Use for Downloads are valid (<http://phoenixcontact.com/download>)



D-SUB coupling, shell size 2, socket, gender changer, shielded, connection direction straight, IP67 degree of protection

RoHS

Key Commercial Data

Packing unit	5 STK
Minimum order quantity	5 STK
GTIN	 4 017918 920371
GTIN	4017918920371
Custom tariff number	8536909000
Sales Key	ABNJB

Technical data

Mechanical characteristics

Number of positions	15
Insertion/withdrawal cycles	≥ 200
Cable exit	straight
Color	gray
Degree of protection	IP67
Design	D-SUB 15

Ambient conditions

Ambient temperature (operation)	-40 °C ... 80 °C
---------------------------------	------------------

Material data

Flammability rating according to UL 94	V0
Housing material	PA
Contact carrier material	Polyester GF
Contact material	Copper alloy
Contact surface material	Hard gold-plated over nickel

https://www.phoenixcontact.com/cn/products/1689653



D-SUB coupling - VS-15-KU-BU/BU - 1689653

Technical data

Material data

Sealing material	EPDM
Seal material	EPDM

Electrical characteristics

Number of positions	15
Rated current	5 A
Overvoltage category	III
Degree of pollution	2
Rated voltage (III/3)	125 V

Standards and Regulations

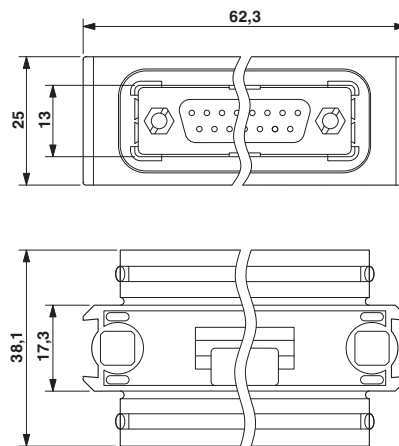
Flammability rating according to UL 94	V0
--	----

Environmental Product Compliance

China RoHS	Environmentally Friendly Use Period = 50
	For details about hazardous substances go to tab "Downloads", Category "Manufacturer's declaration"

Drawings

Dimensional drawing



D-SUB coupling

Approvals

Approvals

Approvals

EAC

<https://www.phoenixcontact.com/cn/products/1689653>




D-SUB coupling - VS-15-KU-BU/BU - 1689653

Approvals

Ex Approvals

Approval details

EAC		B.01742
-----	---	---------

Phoenix Contact 2017 © - all rights reserved
<http://www.phoenixcontact.com>